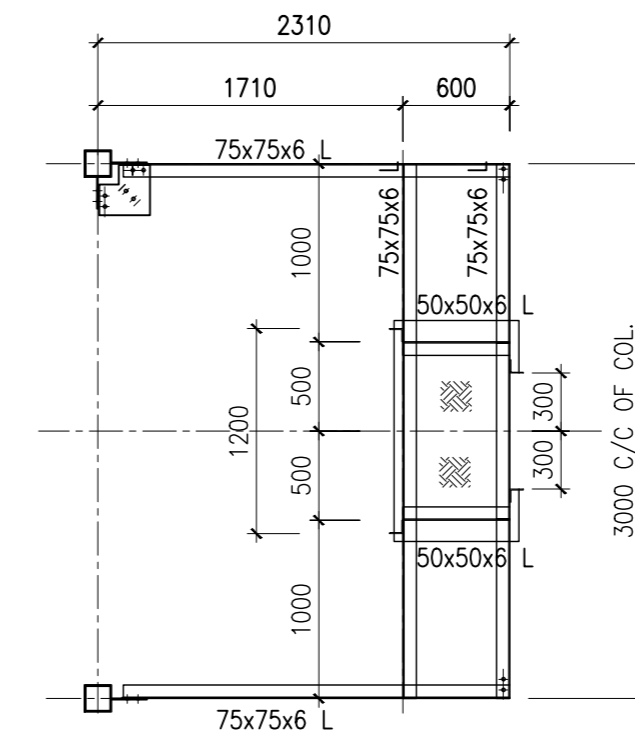
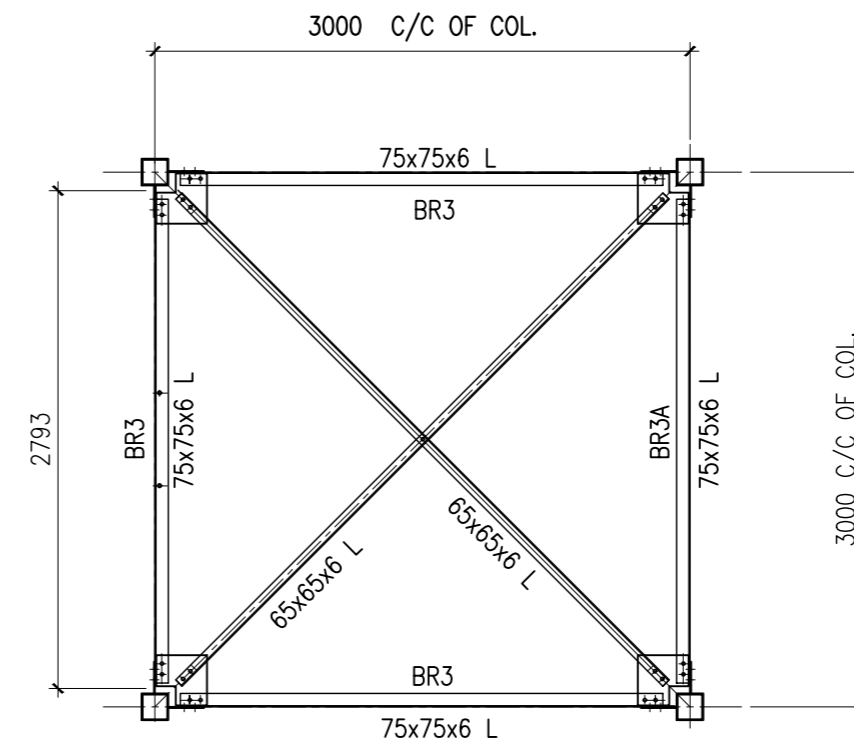
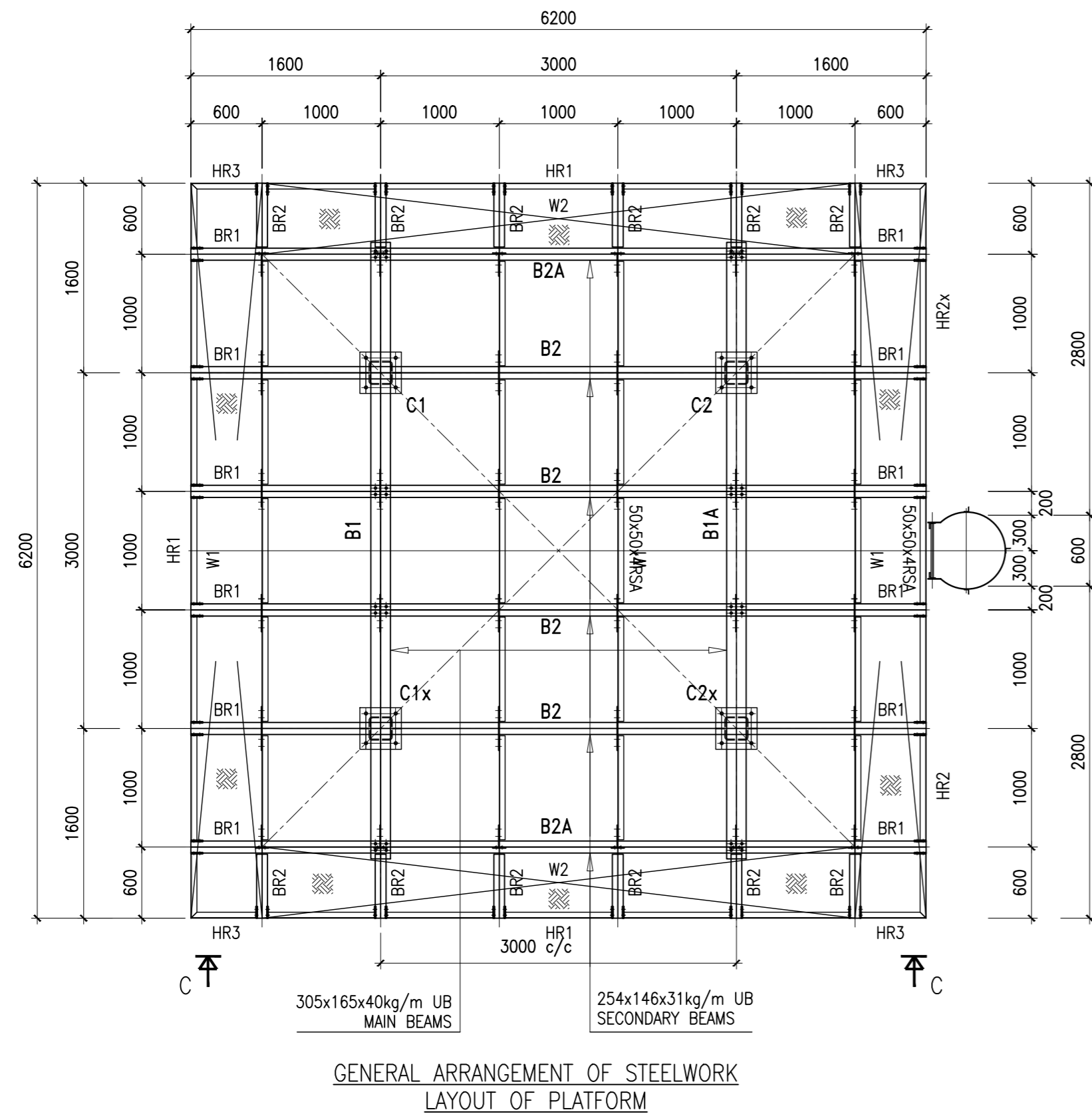


**NOTES**

1. READ THE DRAWING IN CONJUNCTION WITH RELEVANT R.C.
2. DRAWINGS. ALL DIMENSIONS ARE IN MILLIMETERS UNLESS OTHERWISE STATED.
3. ALL LEVELS ARE IN METERS ABOVE SEA LEVEL.
4. ALL VALVES TO BE SUPPLIED WITH EXTENSION SPINDLE.
5. ALL FOUNDATIONS TO BE TAKEN DOWN TO A SUITABLE ROCK.
6. MAXIMUM AGGREGATE SIZE FOR CONCRETE IS 20mm.
7. ALL REINFORCEMENT TO BE INSPECTED BY THE ENGINEER BEFORE CONCRETING.



PROJECT TITLE:  
BOMET WATER COMPANY LIMITED.

DRAWING TITLE:  
5m x5m x4m DEEP TANK ON 12m TOWER  
G.A OF STEELWORK ELEVATION & SECTIONS.

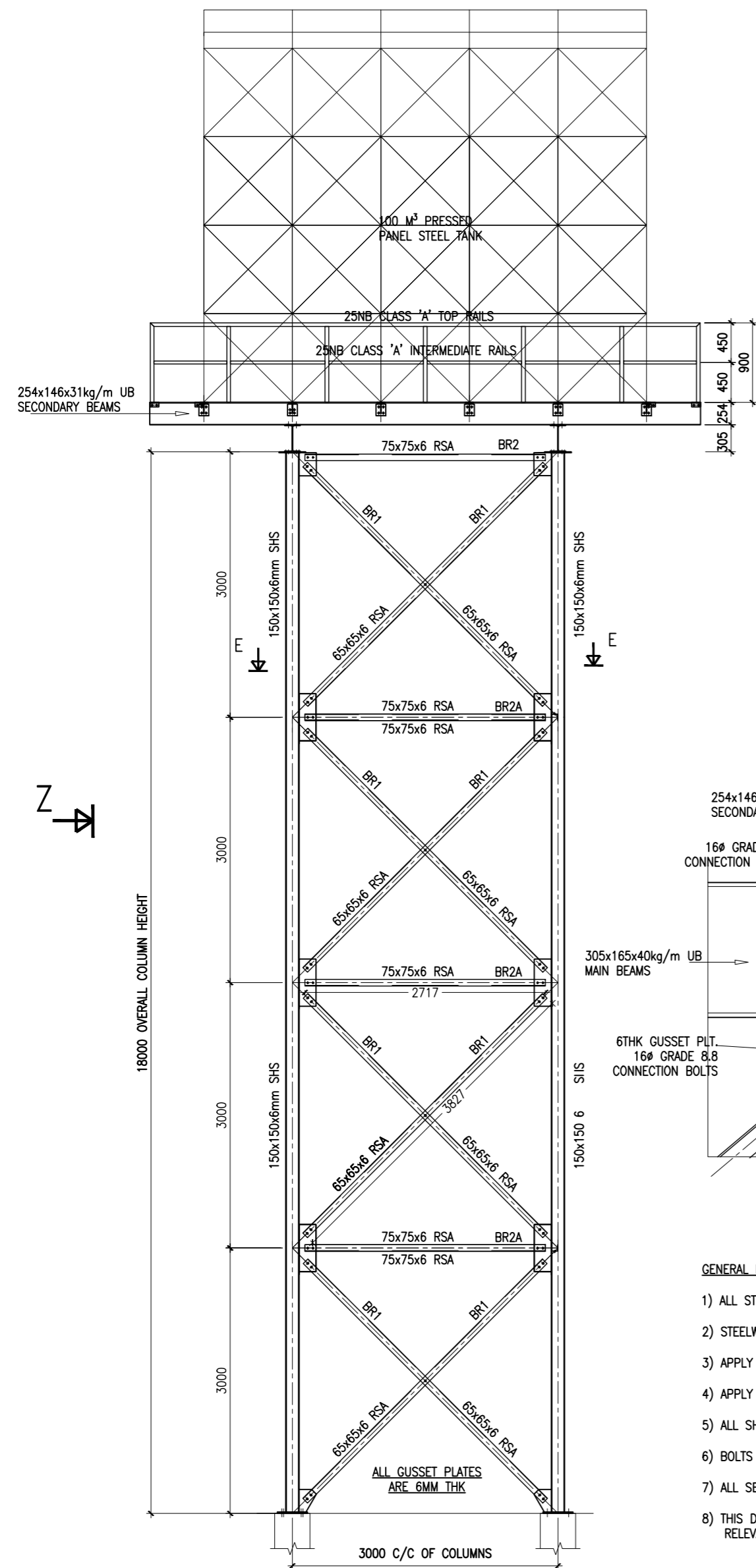
CLIENT:

CONTRACTOR:

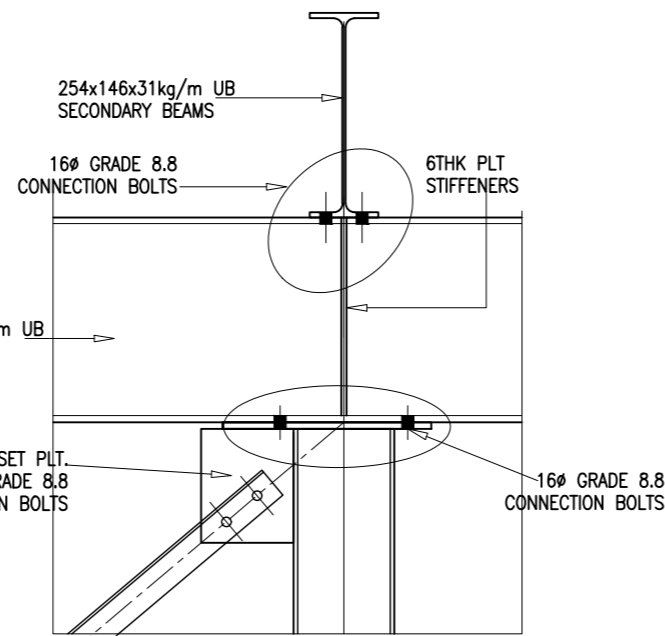
SCALE: 1:50

	NAME	SIGNATURE	DATE
Designed			
Drawn			
Checked			

DRG No. 03	Revision Suffix
---------------	-----------------



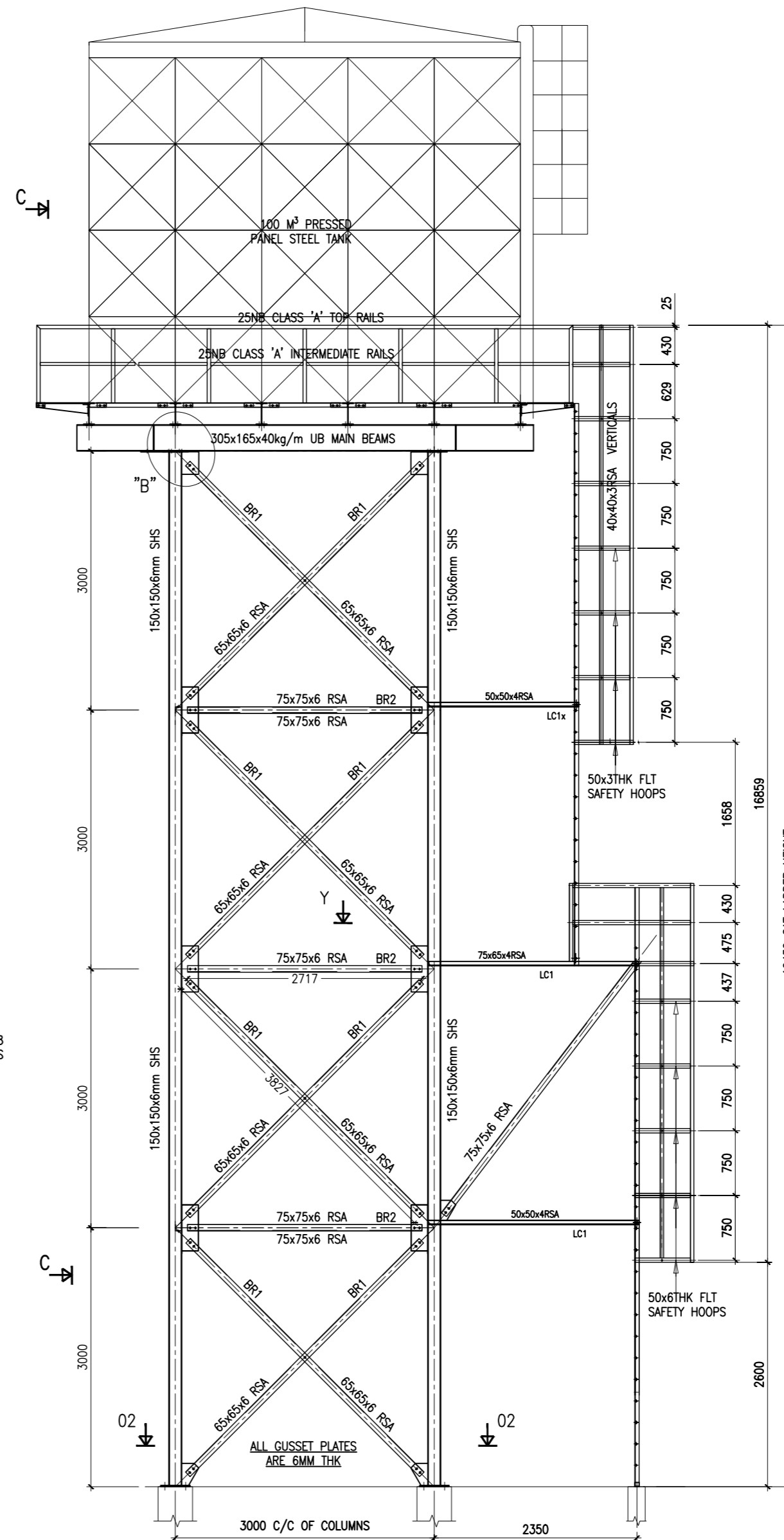
ELEVATION C - C.



TYPICAL CONNECTION  
DETAIL AT "A"

GENERAL NOTES:

- 1) ALL STRUCTURAL STEELWORK TO BE GRADE 43C.
- 2) STEELWORK TO BE WIRE BRUSHED PRIOR TO PAINT APPLICATION.
- 3) APPLY ONE COAT OF GREY OXIDE PRIMER.
- 4) APPLY ONE COAT OF SILVER ALUMINIUM PAINT.
- 5) ALL SHOP WELDS TO BE 6MM FILLET WELDS U.O.N.
- 6) BOLTS ARE GALVANIZED GRADE 4.6. & GRADE 8.8
- 7) ALL SECTION SIZES TO BE AS SPECIFIED ON DRAWING.
- 8) THIS DRAWING TO BE READ IN CONJUNCTION WITH ALL OTHER RELEVANT DRAWINGS.



VIEW ARROW Z

NOTES

1. READ THE DRAWING IN CONJUNCTION WITH RELEVANT R.C.
2. DRAWINGS. ALL DIMENSIONS ARE IN MILLIMETERS UNLESS OTHERWISE STATED.
3. ALL LEVELS ARE IN METERS ABOVE SEA LEVEL.
4. ALL VALVES TO BE SUPPLIED WITH EXTENSION SPINDLE.
5. ALL FOUNDATIONS TO BE TAKEN DOWN TO A SUITABLE ROCK.
6. MAXIMUM AGGREGATE SIZE FOR CONCRETE IS 20mm.
7. ALL REINFORCEMENT TO BE INSPECTED BY THE ENGINEER BEFORE CONCRETING.

PROJECT TITLE:  
BOMET WATER COMPANY LIMITED

DRAWING TITLE  
5m x5m x4m DEEP TANK ON 12m TOWER  
G.A OF STEELWORK ELEVATION & VIEW ARROW Z.

CLIENT

CONTRACTOR

SCALE: 1:50

	NAME	SIGNATURE	DATE
Designed			
Drawn			
Checked			
DRG No. 02	Revision Suffix		

