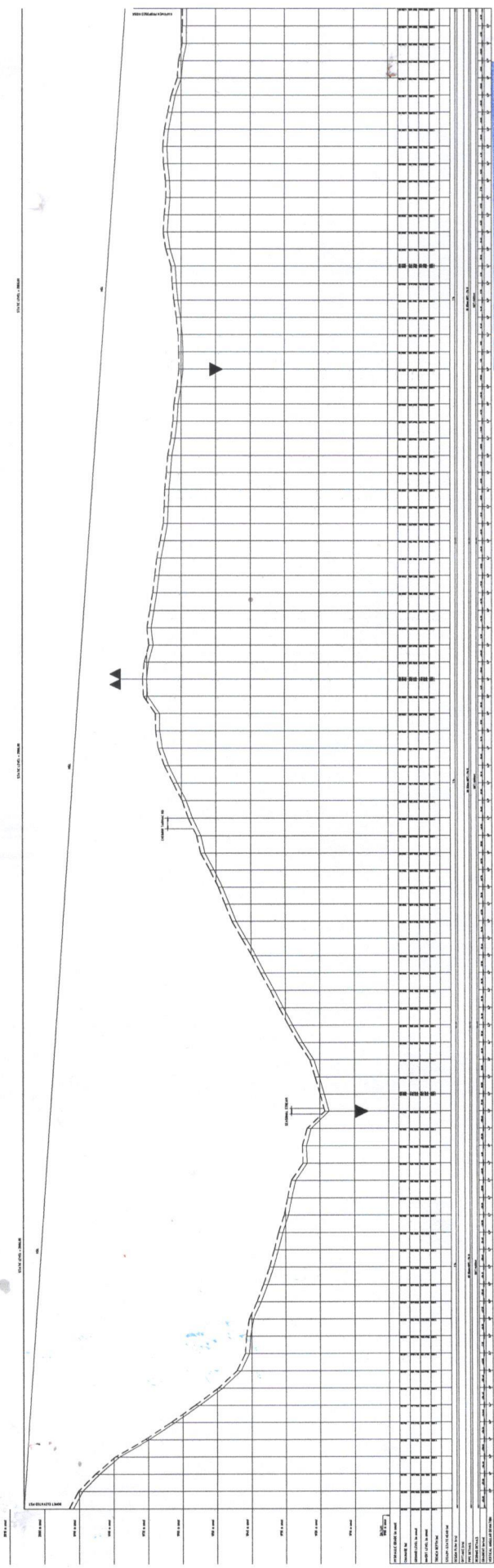


9_Bomet_Kapkwen_Pipeline_Profiles.pdf

2. Water Kiosk Drawings.pdf

LEGEND

- STATK LEVEL
- HYDRAULIC GRADE LINE
- EXISTING GROUND LEVEL
- INVERT LEVEL
- ▲ SINGLE AIR VALVE
- ▲▲ DOUBLE AIR VALVE
- ▲ SHOOT
- ▲ GATE VALVE
- ▲▲ PRESSURE ZONING VALVE



COUNTY GOVERNMENT OF BOMET
 P. O. Box 19 - 20400, BOMET
 MAY 2021

PROJECT		DATE		JOB No.	
BOMET WATER SUPPLY BOMET-KAPKWEN PIPELINE EXTENSION		MAY 2021		301-O	
DESCRIPTION		DESIGNED		CHK	
		C.K.L		C.K.L	
DESCRIPTION		CHECKED		APPROVED	
		V.K.B		B.R	
DESCRIPTION		SCALE		AS SHOWN	
DESCRIPTION		DATE		BY	
				O	
DESCRIPTION		DATE		BY	
DESCRIPTION		DATE		BY	
DESCRIPTION		DATE		BY	

DRW TITLE
 BOMET - KAPKWEN PIPELINE
 PIPELINE PROFILE
 CH. 0+000.00 - 4+350
 SHEET 1 OF 4

DATE
 MAY 2021

JOB No.
 301-O

DESIGNED
 C.K.L

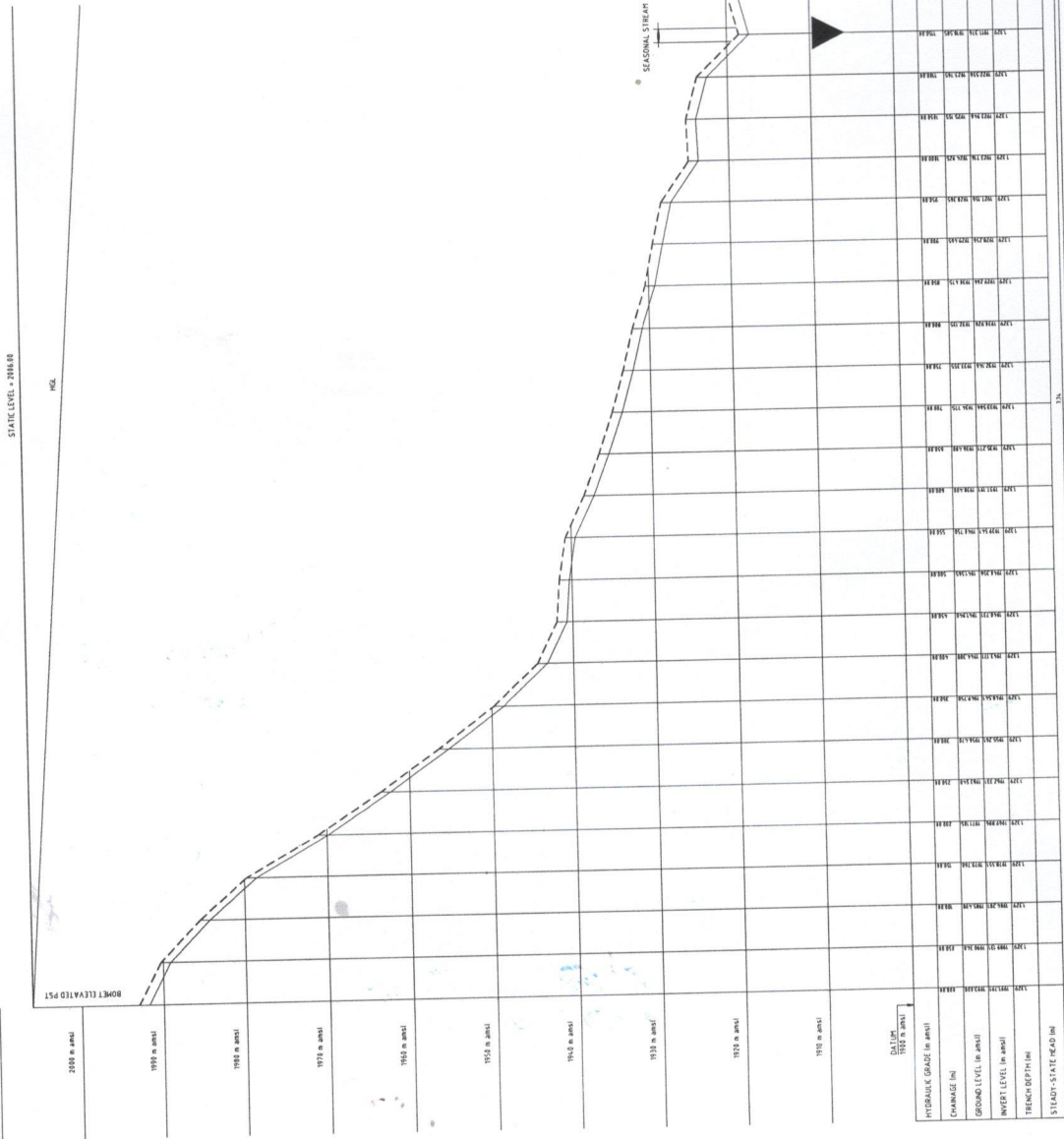
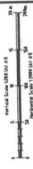
CHECKED
 V.K.B

APPROVED
 B.R

SCALE
 AS SHOWN

BY
 O

LEGEND



STATION	HYDRAULIC GRADE (m)	EXISTING GROUND LEVEL (m)	INVERT LEVEL (m)	PIPE DIAMETER (mm)	PIPE SLOPE (%)	VERTICAL ANGLE DEVIATION (°)
0+00	1585.00	1585.00	1585.00	150	0.00	0.00
0+10	1584.00	1584.00	1584.00	150	0.00	0.00
0+20	1583.00	1583.00	1583.00	150	0.00	0.00
0+30	1582.00	1582.00	1582.00	150	0.00	0.00
0+40	1581.00	1581.00	1581.00	150	0.00	0.00
0+50	1580.00	1580.00	1580.00	150	0.00	0.00
0+60	1579.00	1579.00	1579.00	150	0.00	0.00
0+70	1578.00	1578.00	1578.00	150	0.00	0.00
0+80	1577.00	1577.00	1577.00	150	0.00	0.00
0+90	1576.00	1576.00	1576.00	150	0.00	0.00
1+00	1575.00	1575.00	1575.00	150	0.00	0.00

COUNTY GOVERNMENT OF BOMET
 P. O. Box 19 - 20400, BOMET
28 MAY 2021
DIRECTOR
WATER DEPARTMENT

DATE	MAY 2021	JOB No.	
DESIGNED	CEL	Checked	CEL
DRAWN	CEL	Approved	V.B. P.R.
SCALE	As shown	REV	0

PROJECT
BOMET WATER SUPPLY
BOMET-KAPKWEN
PIPELINE EXTENSION

PROJECT TITLE
 BOMET - KAPKWEN PIPELINE
 PIPELINE PROFILE
 CH. 0+000.00 - 1+400
 SHEET 2 OF 4

NO.	DESCRIPTION	DATE

NO.	DESCRIPTION	DATE

NO.	DESCRIPTION	DATE

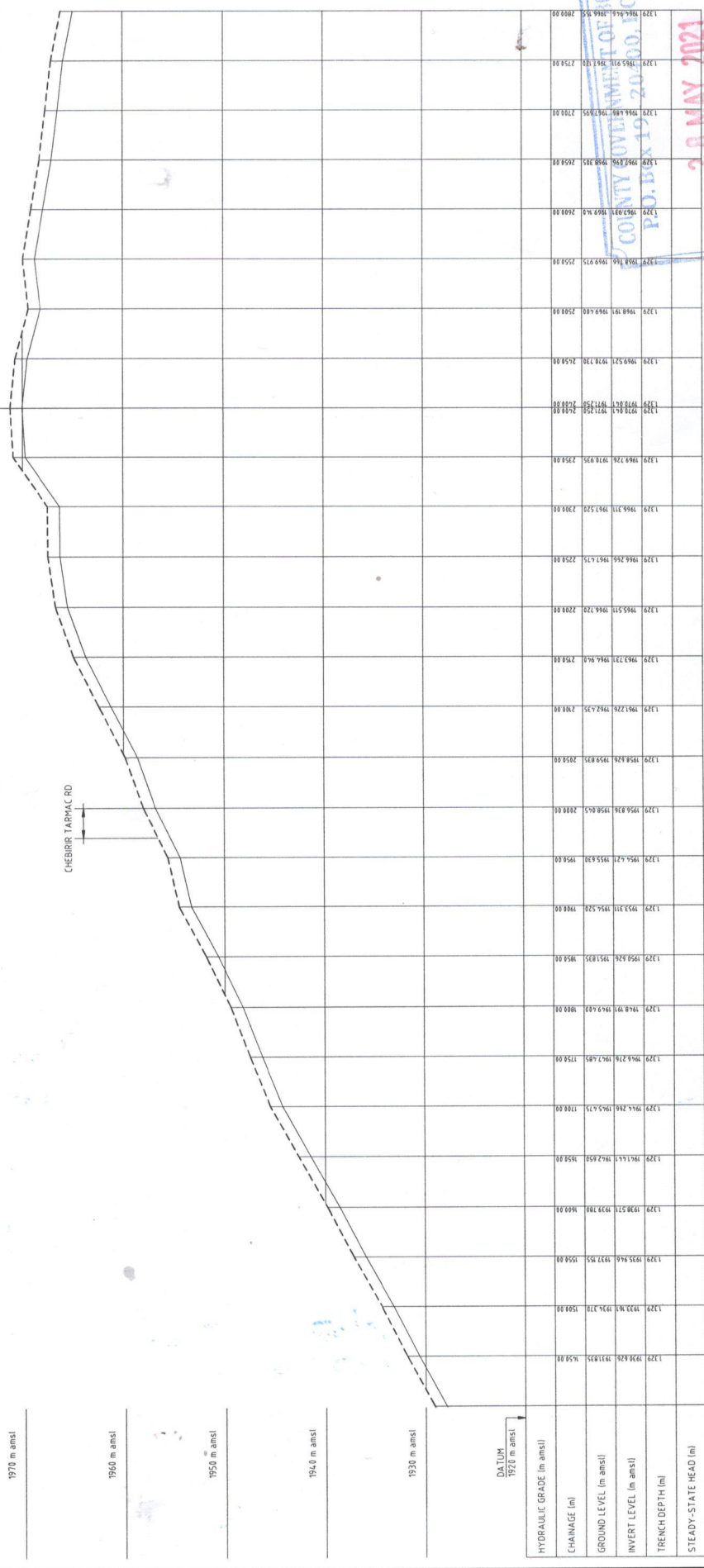
NO.	DESCRIPTION	DATE

NO.	DESCRIPTION	DATE

NO.	DESCRIPTION	DATE

LEGEND

- INVERT LEVEL
- HYDRAULIC GRADE LINE
- - - EXISTING GROUND LEVEL
- - - INVERT LEVEL
- ↑ SINGLE AIR VALVE
- ↑↑ DOUBLE AIR VALVE
- MANSHOUT
- ⊗ GATE VALVE
- ⊕ PRESSURE REDUCING VALVE



CHAINAGE (m)	GROUND LEVEL (m amsl)	INVERT LEVEL (m amsl)	TRENCH DEPTH (m)	STEADY-STATE HEAD (m)	DESIGN FLOW (l/s)	OFFTAKE (l/s)	BEDDING DETAILS	GRADIENT (m/m)	VERTICAL ANGULAR DEVIATION
1329 000.00	1930.00	1931.93	1.93	1934.00	0.00	0.00	0.00	0.00	0.00
1329 020.00	1931.93	1933.93	1.93	1934.00	0.00	0.00	0.00	0.00	0.00
1329 040.00	1933.93	1935.93	1.93	1934.00	0.00	0.00	0.00	0.00	0.00
1329 060.00	1935.93	1937.93	1.93	1934.00	0.00	0.00	0.00	0.00	0.00
1329 080.00	1937.93	1939.93	1.93	1934.00	0.00	0.00	0.00	0.00	0.00
1329 100.00	1939.93	1941.93	1.93	1934.00	0.00	0.00	0.00	0.00	0.00
1329 120.00	1941.93	1943.93	1.93	1934.00	0.00	0.00	0.00	0.00	0.00
1329 140.00	1943.93	1945.93	1.93	1934.00	0.00	0.00	0.00	0.00	0.00
1329 160.00	1945.93	1947.93	1.93	1934.00	0.00	0.00	0.00	0.00	0.00
1329 180.00	1947.93	1949.93	1.93	1934.00	0.00	0.00	0.00	0.00	0.00
1329 200.00	1949.93	1951.93	1.93	1934.00	0.00	0.00	0.00	0.00	0.00
1329 220.00	1951.93	1953.93	1.93	1934.00	0.00	0.00	0.00	0.00	0.00
1329 240.00	1953.93	1955.93	1.93	1934.00	0.00	0.00	0.00	0.00	0.00
1329 260.00	1955.93	1957.93	1.93	1934.00	0.00	0.00	0.00	0.00	0.00
1329 280.00	1957.93	1959.93	1.93	1934.00	0.00	0.00	0.00	0.00	0.00
1329 300.00	1959.93	1961.93	1.93	1934.00	0.00	0.00	0.00	0.00	0.00
1329 320.00	1961.93	1963.93	1.93	1934.00	0.00	0.00	0.00	0.00	0.00
1329 340.00	1963.93	1965.93	1.93	1934.00	0.00	0.00	0.00	0.00	0.00
1329 360.00	1965.93	1967.93	1.93	1934.00	0.00	0.00	0.00	0.00	0.00
1329 380.00	1967.93	1969.93	1.93	1934.00	0.00	0.00	0.00	0.00	0.00
1329 400.00	1969.93	1971.93	1.93	1934.00	0.00	0.00	0.00	0.00	0.00
1329 420.00	1971.93	1973.93	1.93	1934.00	0.00	0.00	0.00	0.00	0.00
1329 440.00	1973.93	1975.93	1.93	1934.00	0.00	0.00	0.00	0.00	0.00
1329 460.00	1975.93	1977.93	1.93	1934.00	0.00	0.00	0.00	0.00	0.00
1329 480.00	1977.93	1979.93	1.93	1934.00	0.00	0.00	0.00	0.00	0.00
1329 500.00	1979.93	1981.93	1.93	1934.00	0.00	0.00	0.00	0.00	0.00
1329 520.00	1981.93	1983.93	1.93	1934.00	0.00	0.00	0.00	0.00	0.00
1329 540.00	1983.93	1985.93	1.93	1934.00	0.00	0.00	0.00	0.00	0.00
1329 560.00	1985.93	1987.93	1.93	1934.00	0.00	0.00	0.00	0.00	0.00
1329 580.00	1987.93	1989.93	1.93	1934.00	0.00	0.00	0.00	0.00	0.00
1329 600.00	1989.93	1991.93	1.93	1934.00	0.00	0.00	0.00	0.00	0.00
1329 620.00	1991.93	1993.93	1.93	1934.00	0.00	0.00	0.00	0.00	0.00
1329 640.00	1993.93	1995.93	1.93	1934.00	0.00	0.00	0.00	0.00	0.00
1329 660.00	1995.93	1997.93	1.93	1934.00	0.00	0.00	0.00	0.00	0.00
1329 680.00	1997.93	1999.93	1.93	1934.00	0.00	0.00	0.00	0.00	0.00
1329 700.00	1999.93	2001.93	1.93	1934.00	0.00	0.00	0.00	0.00	0.00
1329 720.00	2001.93	2003.93	1.93	1934.00	0.00	0.00	0.00	0.00	0.00
1329 740.00	2003.93	2005.93	1.93	1934.00	0.00	0.00	0.00	0.00	0.00
1329 760.00	2005.93	2007.93	1.93	1934.00	0.00	0.00	0.00	0.00	0.00
1329 780.00	2007.93	2009.93	1.93	1934.00	0.00	0.00	0.00	0.00	0.00
1329 800.00	2009.93	2011.93	1.93	1934.00	0.00	0.00	0.00	0.00	0.00
1329 820.00	2011.93	2013.93	1.93	1934.00	0.00	0.00	0.00	0.00	0.00
1329 840.00	2013.93	2015.93	1.93	1934.00	0.00	0.00	0.00	0.00	0.00
1329 860.00	2015.93	2017.93	1.93	1934.00	0.00	0.00	0.00	0.00	0.00
1329 880.00	2017.93	2019.93	1.93	1934.00	0.00	0.00	0.00	0.00	0.00
1329 900.00	2019.93	2021.93	1.93	1934.00	0.00	0.00	0.00	0.00	0.00
1329 920.00	2021.93	2023.93	1.93	1934.00	0.00	0.00	0.00	0.00	0.00
1329 940.00	2023.93	2025.93	1.93	1934.00	0.00	0.00	0.00	0.00	0.00
1329 960.00	2025.93	2027.93	1.93	1934.00	0.00	0.00	0.00	0.00	0.00
1329 980.00	2027.93	2029.93	1.93	1934.00	0.00	0.00	0.00	0.00	0.00
1329 1000.00	2029.93	2031.93	1.93	1934.00	0.00	0.00	0.00	0.00	0.00

PROJECT
BOMET WATER SUPPLY
BOMET-KAPKWEN
PIPELINE EXTENSION

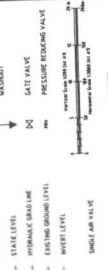
PROFIT
BOMET - KAPKWEN PIPELINE
PIPELINE PROFILE
CH. 1+400.00 - 2+800
SHEET 3 OF 4

REV. No.	DESCRIPTION	DATE	REV. No.	DESCRIPTION	DATE

Date	MAY 2021	CKL	CKL	JOB No.
Drawn	U.P	Checked	U.P	Let From
Approved	U.P	Scale	As shown	DWG No.
				301-3

DIRECTOR
 WATER DEPARTMENT
 20 MAY 2021
 COUNTY GOVERNMENT OF BOMET
 P.O. BOX 19120 2000 BOMET

LEGEND



STATIC LEVEL - 2000.00

2000 m amsl

2000 m amsl

1990 m amsl

1980 m amsl

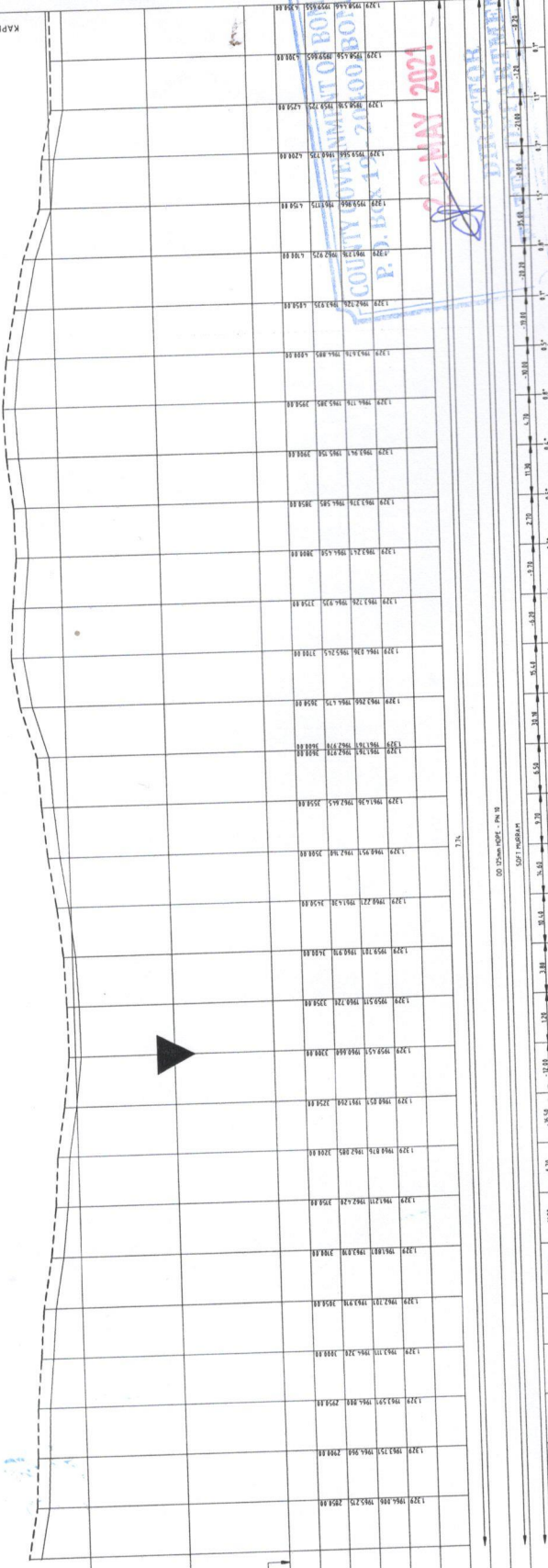
1970 m amsl

1956 m amsl

1950 m amsl

HGL

KAPKWIEN PROPOSED KIOSK



DATE: 19/05/2021

HYDRAULIC GRADE (m amsl)

CHAINAGE (m)

GROUND LEVEL (m amsl)

INVERT LEVEL (m amsl)

TRENCH DEPTH (m)

STEADY-STATE HEAD (m)

DESIGN FLOW (l/s)

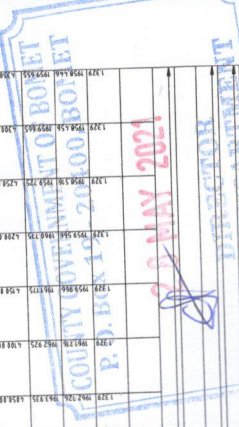
OFFTAKE (l/s)

PIPE DETAILS

BEDDING DETAILS

GRADIENT (m/m)

VERTICAL ANGLE OR DEVIATION



Date	19/05/2021	Job No.	
Designed	CKL	City Engineer	
Drawn	CKL	City Engineer	
Checked	V.B	City Engineer	
Approved	B.K	City Engineer	
Scale	As shown	City Engineer	

PROJECT TITLE
BOMET - KAPKWIEN PIPELINE
PIPELINE PROFILE
CH. 2+800.00 - 4+350
SHEET 4 OF 4

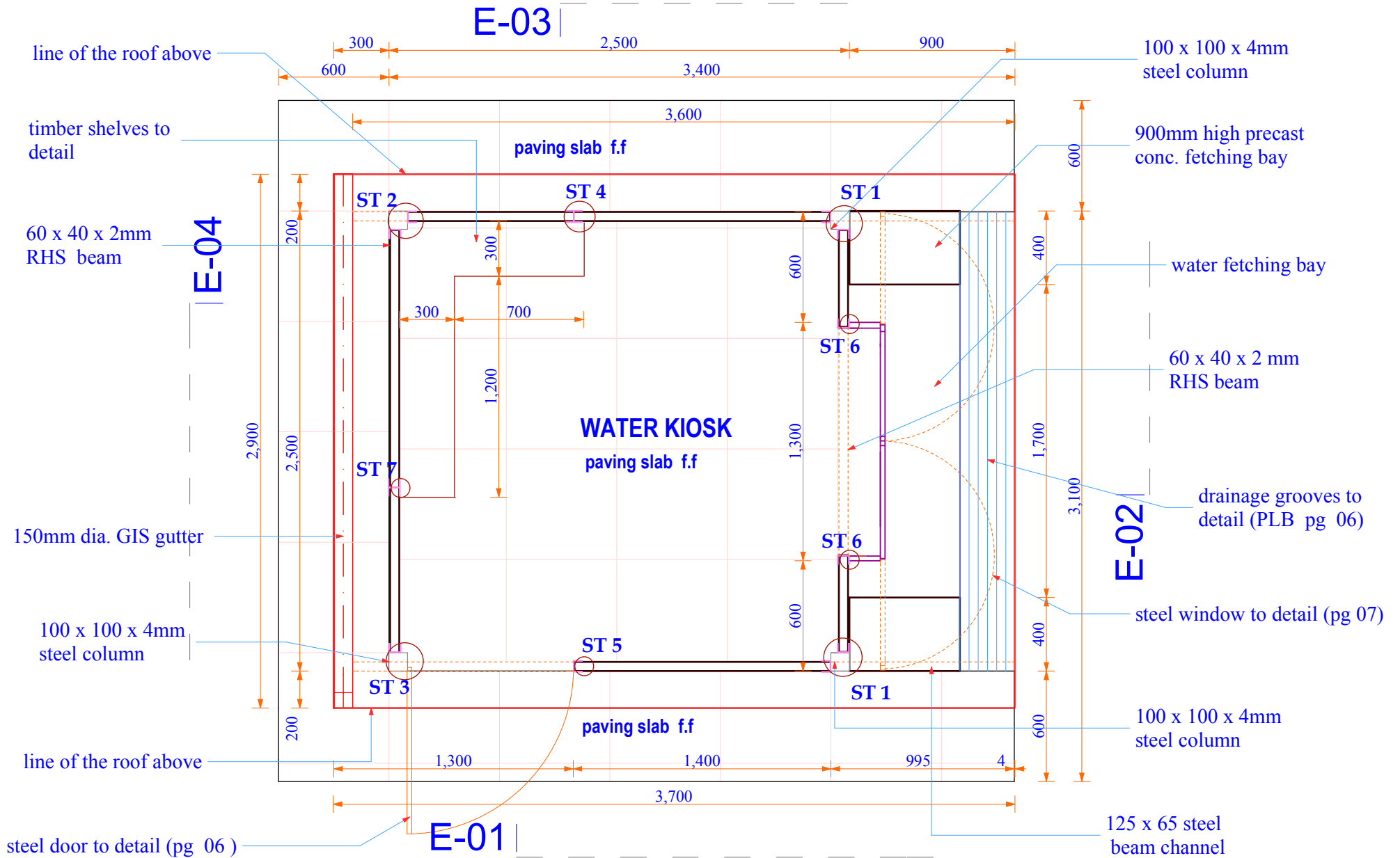
PROJECT
BOMET WATER SUPPLY
BOMET-KAPKWIEN
PIPELINE EXTENSION

REV. No.	DESCRIPTION	DATE	REV. No.	DESCRIPTION	DATE

ARCHITECTURAL DRAWINGS

TABLE OF CONTENTS

No.	Dwg. Title	Dwg. No.	Page
1	Floor plan	arc - 01	01
2	Elevation 01	arc - 02	02
3	Elevation 02	arc - 03	03
4	Elevation 03	arc - 04	04
5	Elevation 04	arc - 05	05
6	Door detail	arc - 06	06
7	Steel Window Detail	arc - 07	07
8	Door /window Hinges Detail	arc - 08	08



FLOOR PLAN

Project Title:

**WATER KIOSK
(Type Closed)
PREFABRICATED**

Client:

**WATER SERVICES
TRUST FUND (WSTF)**

drq title:

PLAN

drq no:

ARC 01

Consultant:

Edward Kung'u

Designed By

**Faith Mwangi
Eden Mati**

Checked By

John Orwa

Approved by

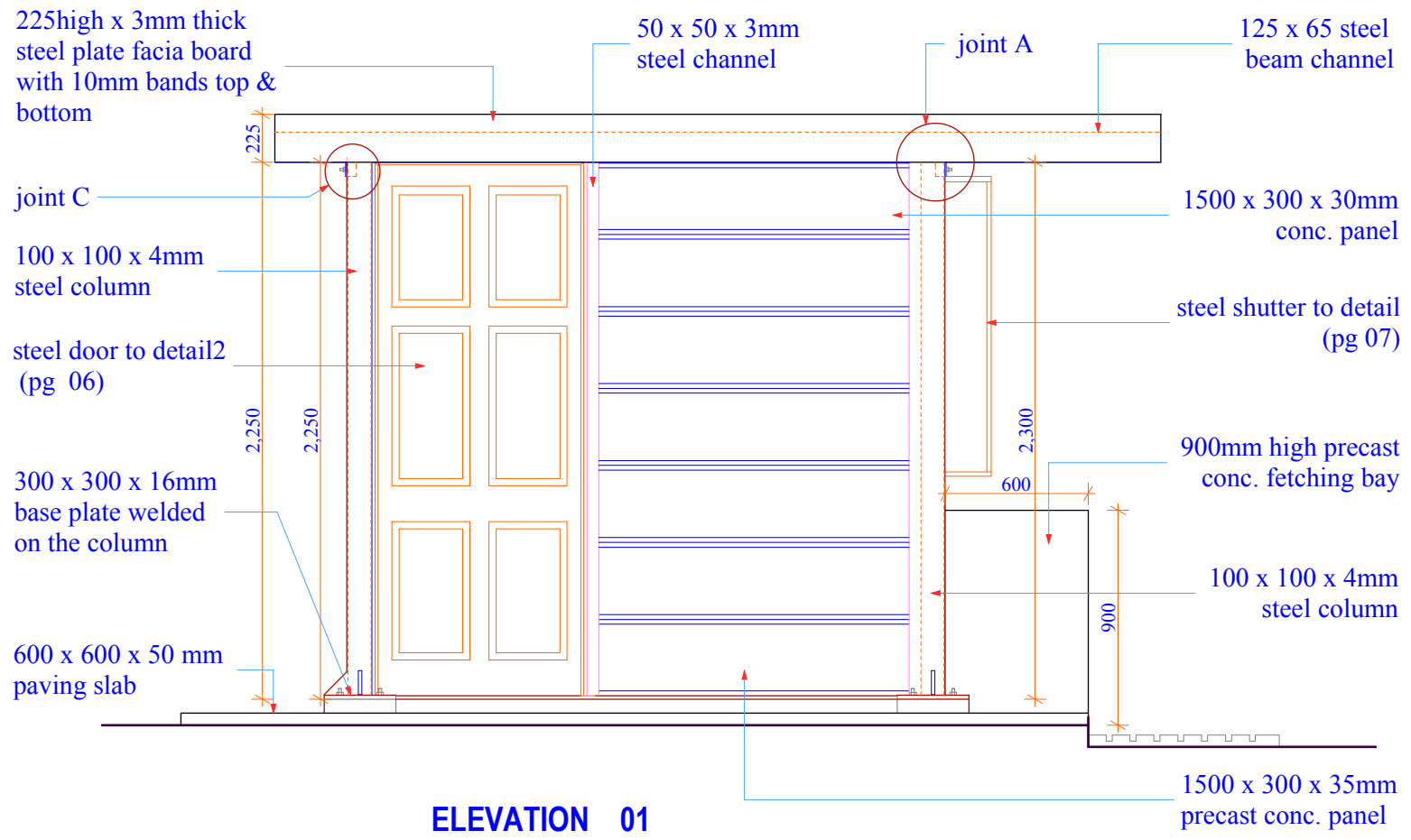
CEO - Water Services Trust Fund

Signature.....

Scale 1 : 20

Date: November 2008

page 01



<p><u>Project Title:</u> WATER KIOSK (Type Closed) PREFABRICATED</p>	<p><u>Client:</u> WATER SERVICES TRUST FUND (WSTF)</p>	<p><u>drq title:</u> ELEVATION</p>	<p><u>drq no:</u> ARC 02</p>	<p><u>Consultant:</u> Edward Kung'u</p>	<p><u>Designed By</u> Faith Mwangi Eden Mati</p>	<p><u>Checked By</u> John Orwa</p>	<p><u>Approved by</u> CEO - Water Services Trust Fund Signature.....</p>	<p>Scale 1 : 20 Date: November 2008 page 02</p>
--	--	--	----------------------------------	---	--	--	--	---

225high x 3mm thick
steel plate facia board
with 10mm bands top &
bottom

60 x 40 x 2mm RHS beam

Joint B

steel shutter to detail
(pg 07)

50 x 50 x 3mm
steel channel

100 x 100 x 4mm
steel column

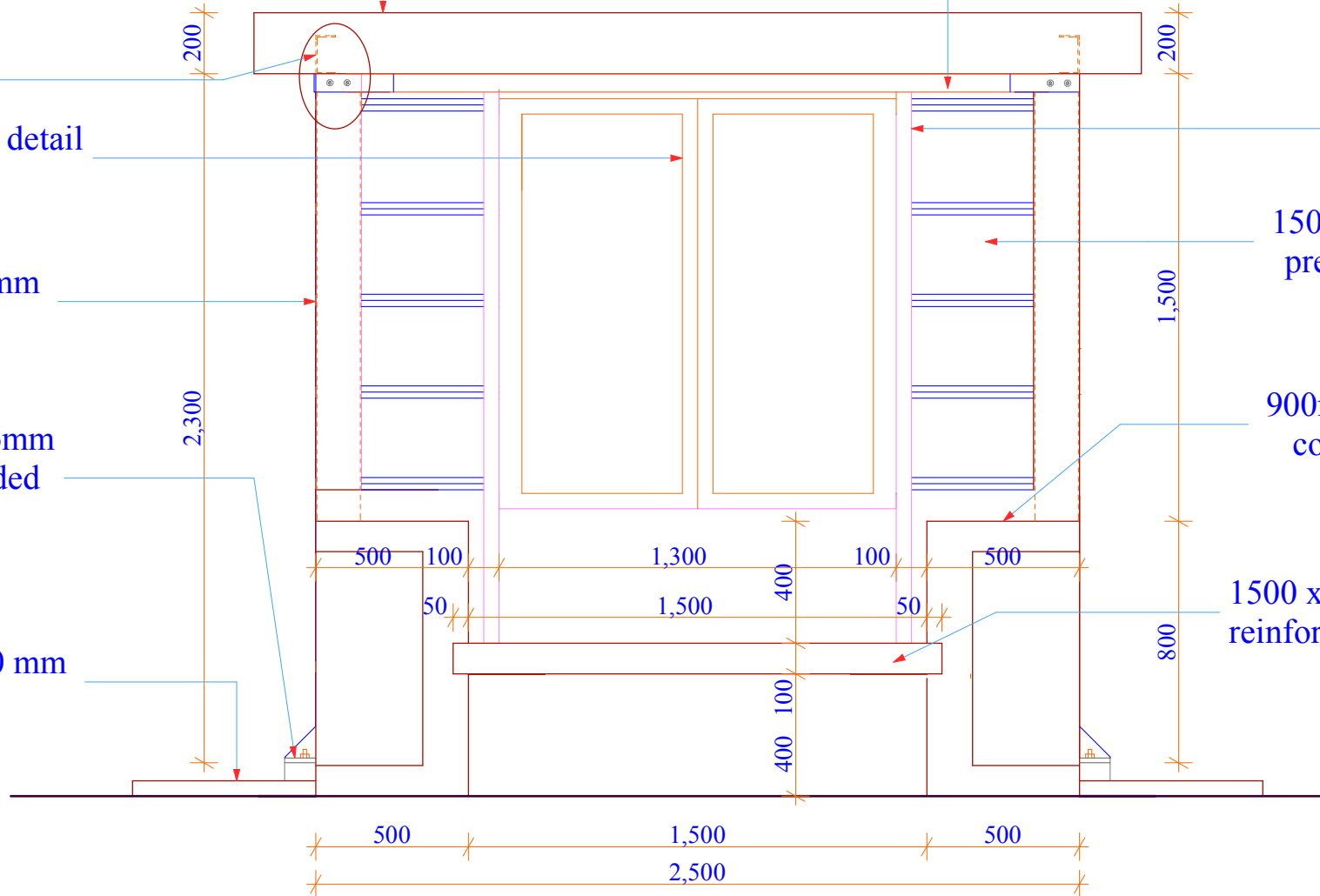
1500 x 300 x 35mm
precast conc. panel

300 x 300 x 16mm
base plate welded
on the column

900mm high precast
conc. fetching bay

600 x 600 x 50 mm
paving slab

1500 x 600 x 100mm
reinforced conc. panel



ELEVATION 02

Project Title:

WATER KIOSK
(Type Closed)
PREFABRICATED

Client:

WATER SERVICES
TRUST FUND (WSTF)

drq title:

ELEVATION

drq no:

ARC 03

Consultant:

Edward Kung'u

Designed By

Faith Mwangi
Eden Mati

Checked By

John Orwa

Approved by

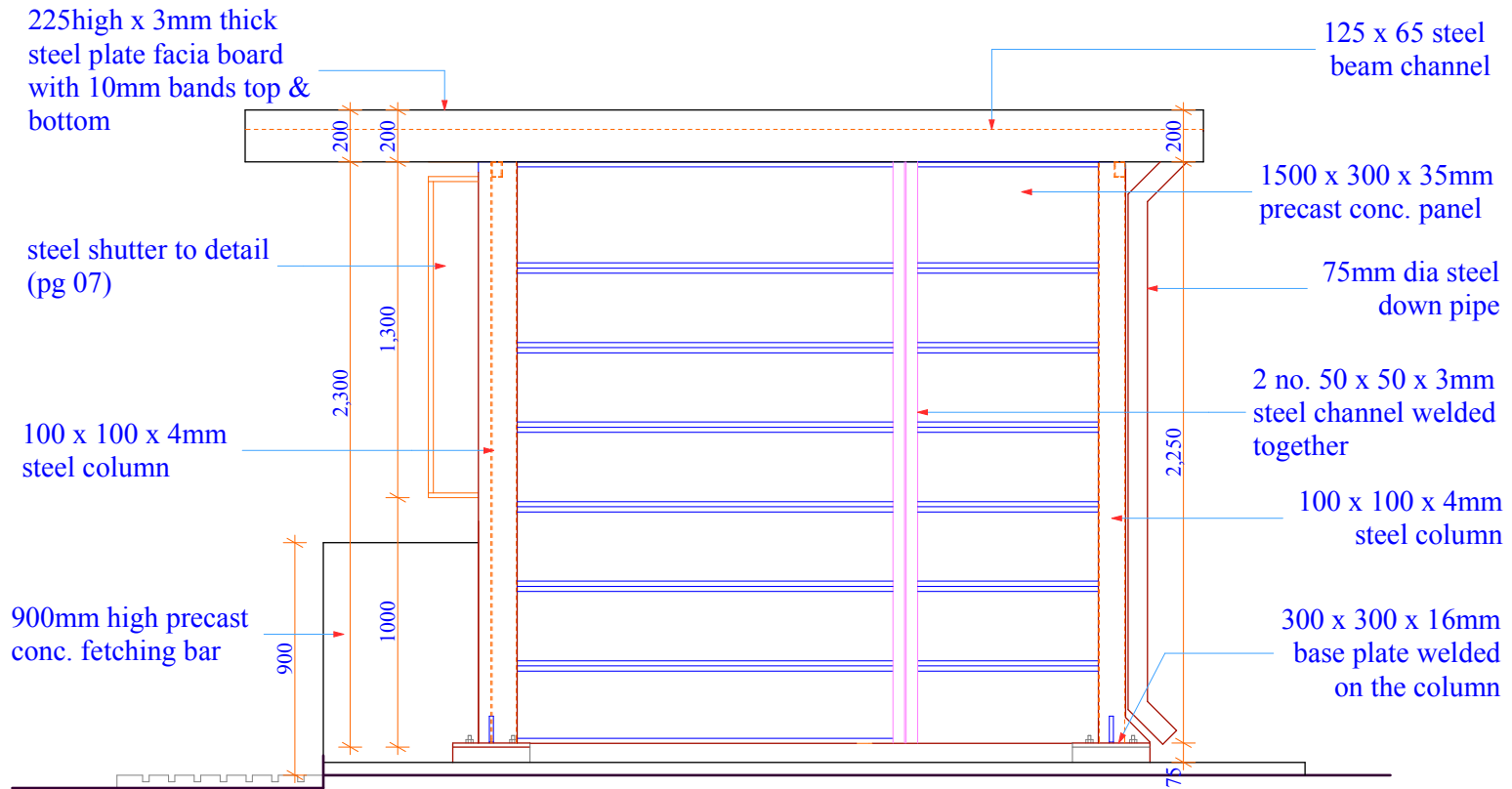
CEO - Water Services Trust Fund

Signature.....

Scale 1 : 20

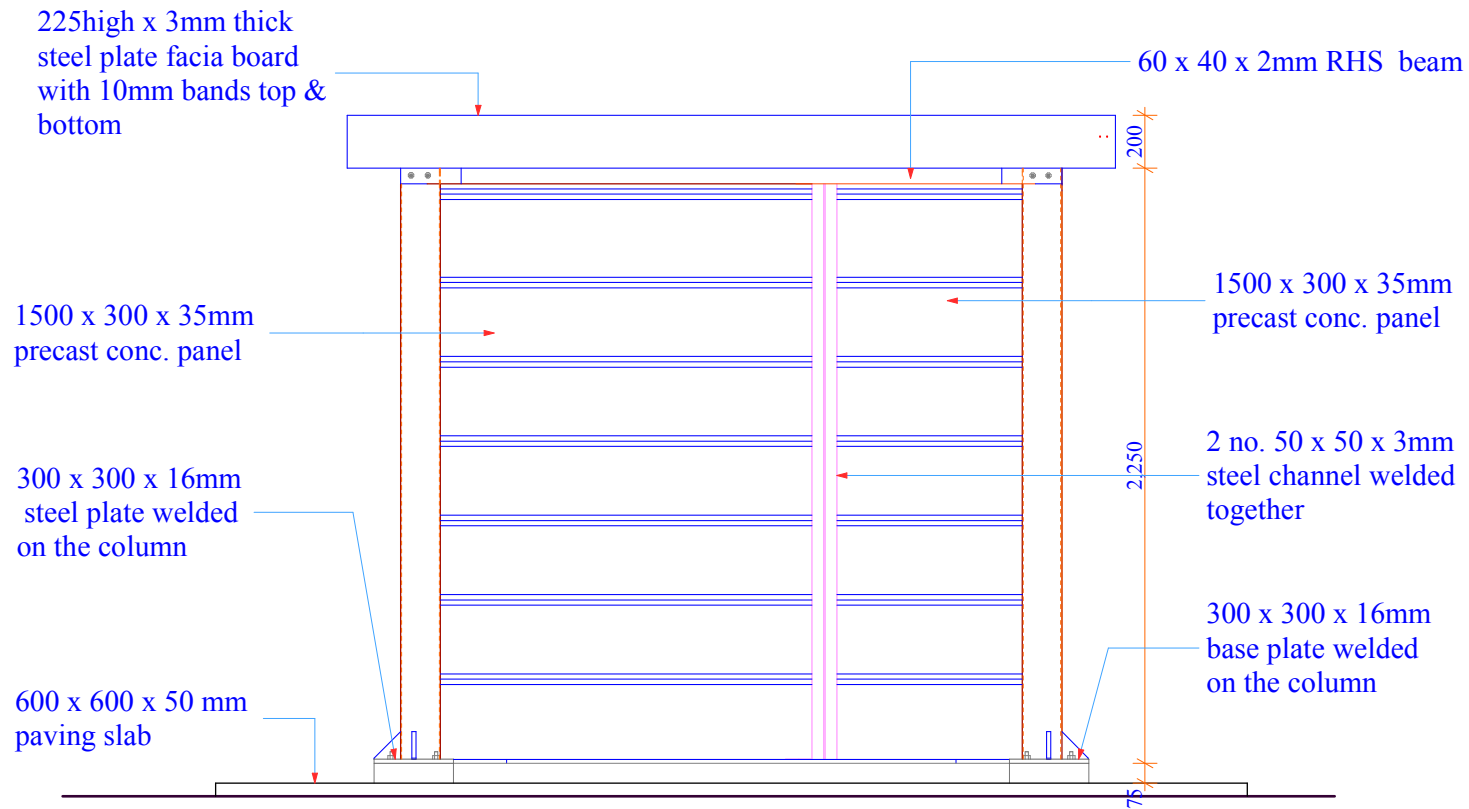
Date: November 2008

page 03



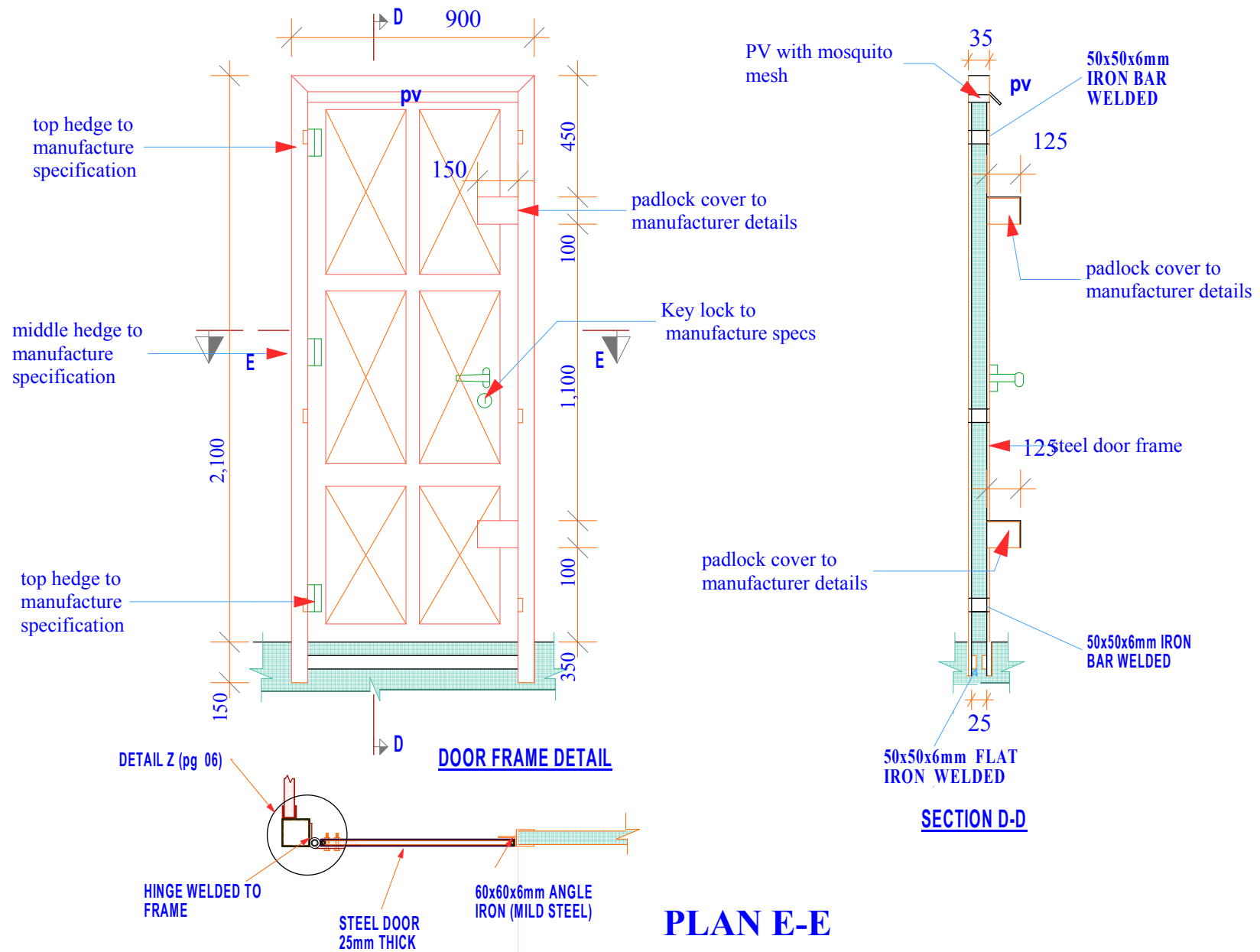
ELEVATION 03

<p><u>Project Title:</u> WATER KIOSK (Type Closed) PREFABRICATED</p>	<p><u>Client:</u> WATER SERVICES TRUST FUND (WSTF)</p>	<p><u>drq title:</u> ELEVATION</p>	<p><u>drq no.:</u> ARC 04</p>	<p><u>Consultant:</u> Edward Kung'u</p>	<p><u>Designed By</u> Faith Mwangi Eden Mati</p>	<p><u>Checked By</u> John Orwa</p>	<p><u>Approved by</u> CEO - Water Services Trust Fund Signature.....</p>	<p>Scale 1 : 20 Date: November 2008 page 04</p>
--	--	--	-----------------------------------	---	--	--	--	---

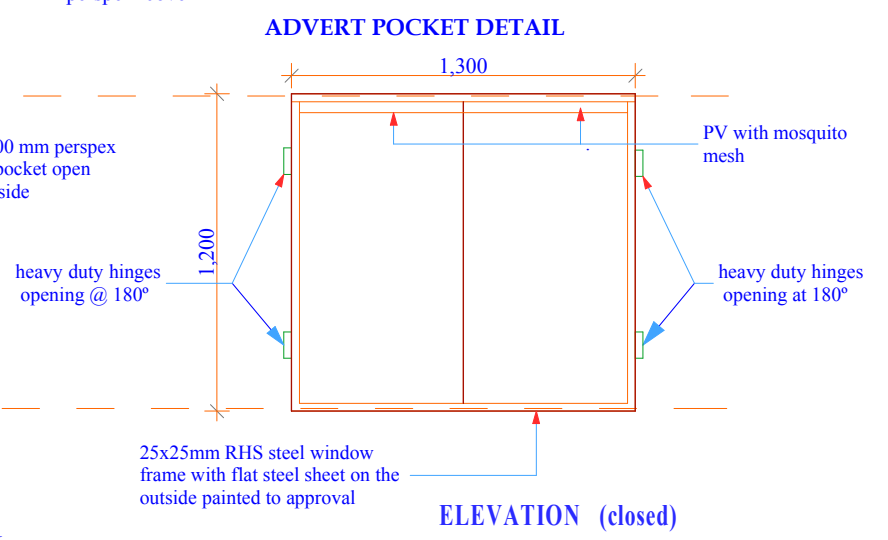
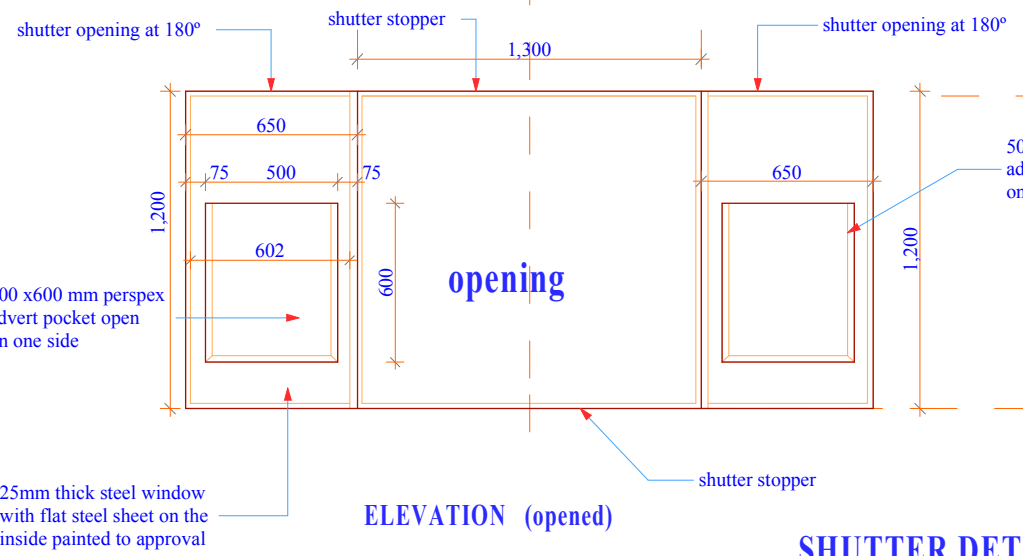
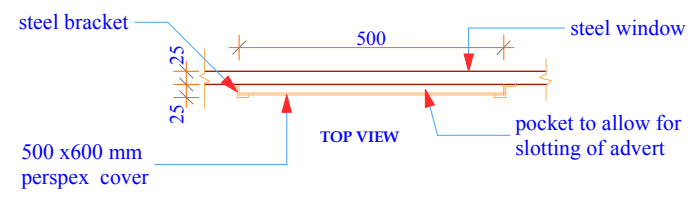
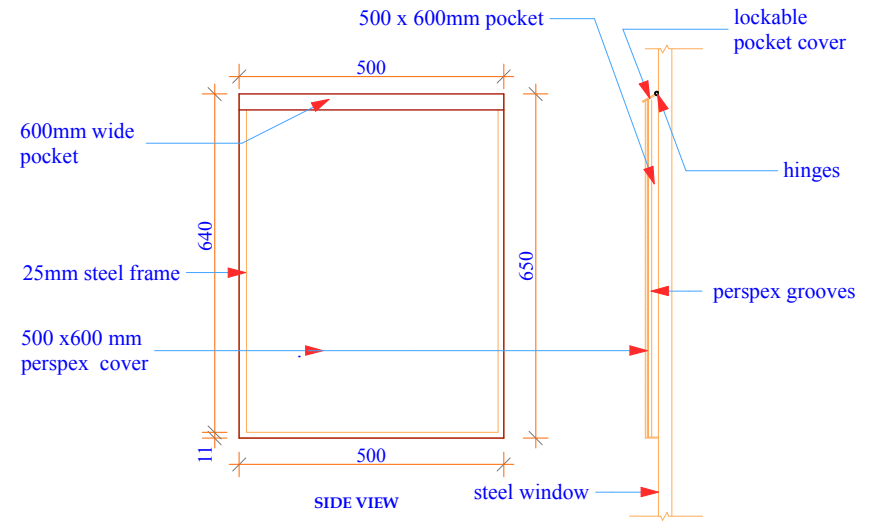
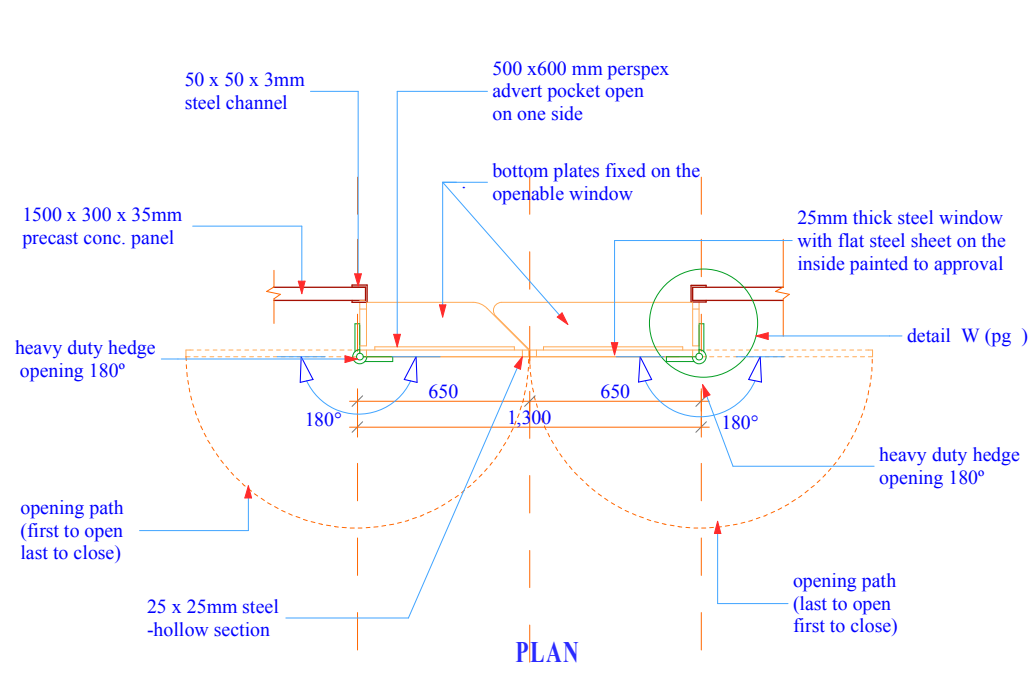


ELEVATION 04

<p><u>Project Title:</u> WATER KIOSK (Type Closed) PREFABRICATED</p>	<p><u>Client:</u> WATER SERVICES TRUST FUND (WSTF)</p>	<p><u>drq title:</u> ELEVATION</p>	<p><u>drq no:</u> ARC 05</p>	<p><u>Consultant:</u> Edward Kung'u</p>	<p><u>Designed By</u> Faith Mwangi Eden Mati</p>	<p><u>Checked By</u> John Orwa</p>	<p><u>Approved by</u> CEO - Water Services Trust Fund Signature.....</p>	<p>Scale 1 : 20 Date: November 2008 page 05</p>
--	--	--	----------------------------------	---	--	--	--	---

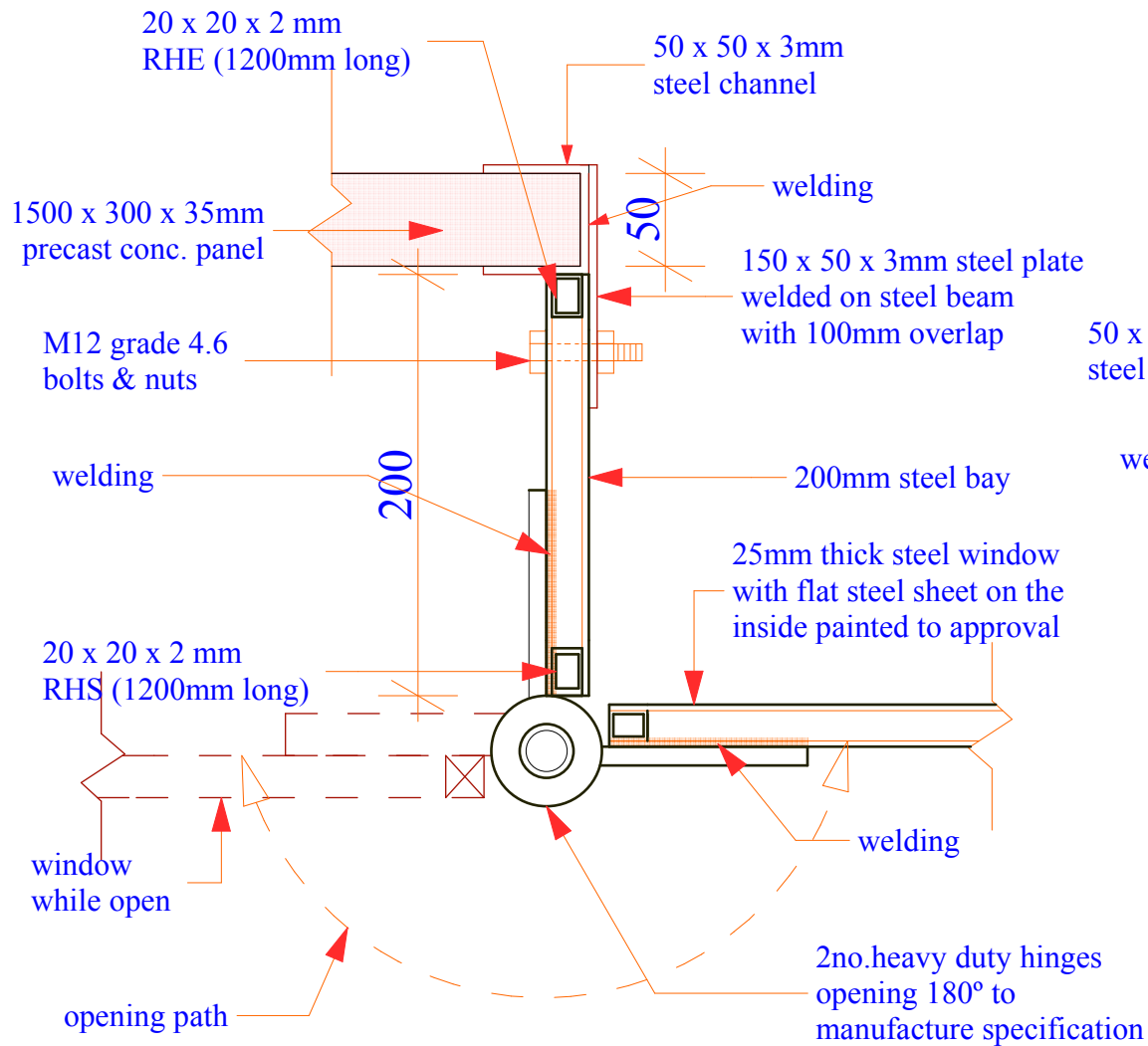


<p>Project Title: WATER KIOSK (Type Closed) PREFABRICATED</p>	<p>Client: WATER SERVICES TRUST FUND (WSTF)</p>	<p>drq title: DOOR DETAIL</p>	<p>drq no: ARC 06</p>	<p>Consultant: Edward Kung'u</p>	<p>Designed By Faith Mwangi Eden Mati</p>	<p>Checked By John Orwa</p>	<p>Approved by CEO - Water Services Trust Fund Signature.....</p>	<p>Scale 1 : 15 Date: November 2008 page 06</p>
--	--	--	----------------------------------	---	--	--	--	---

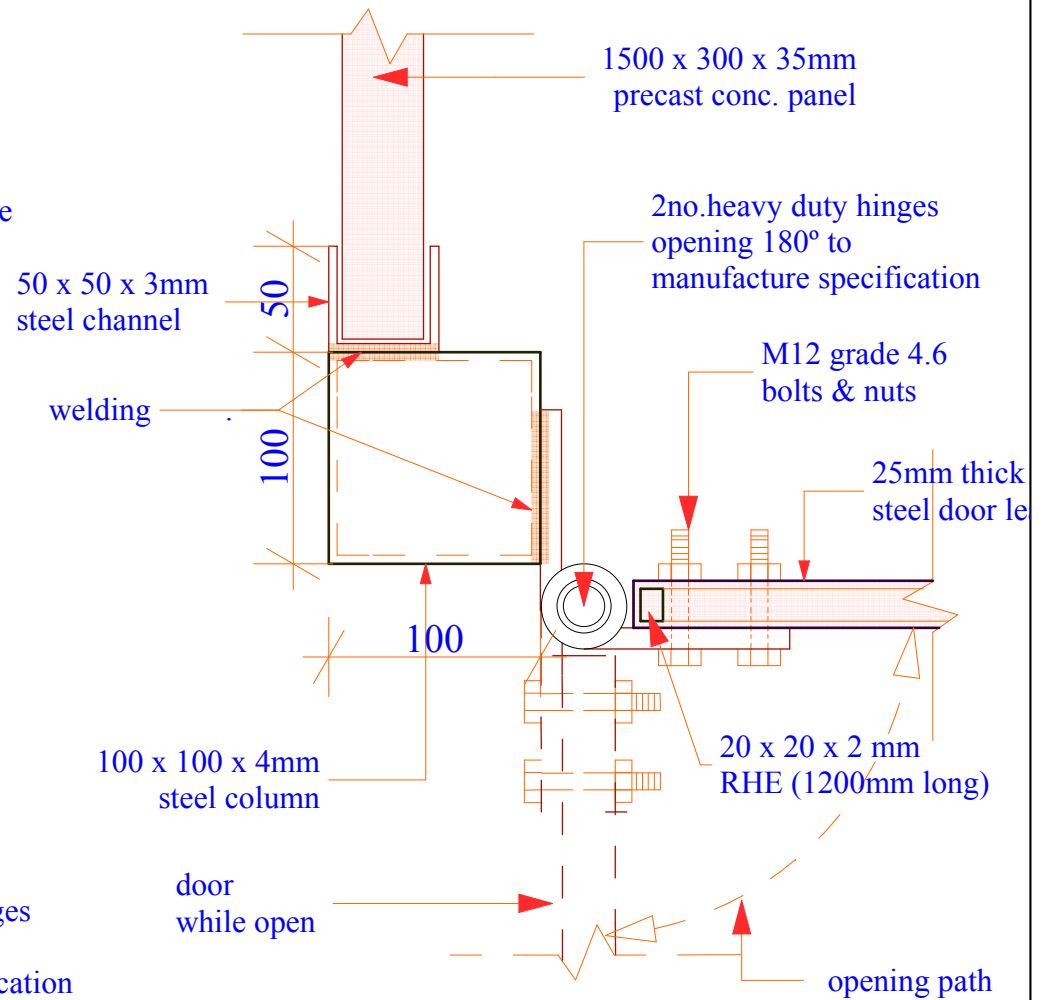


SHUTTER DETAIL

Project Title: WATER KIOSK (Type Closed) PREFABRICATED	Client: WATER SERVICES TRUST FUND (WSTF)	drq title: SHUTTER DETAIL	drq no: ARC 07	Consultant: Edward Kung'u	Designed By Faith Mwangi Eden Mati	Checked By John Orwa	Approved by CEO - Water Services Trust Fund Signature.....	Scale 1 : 20 Date: November 2008 page 07
--	---	-------------------------------------	--------------------------	-------------------------------------	---	--------------------------------	---	---



SHUTTER DETAIL W (pg 07)



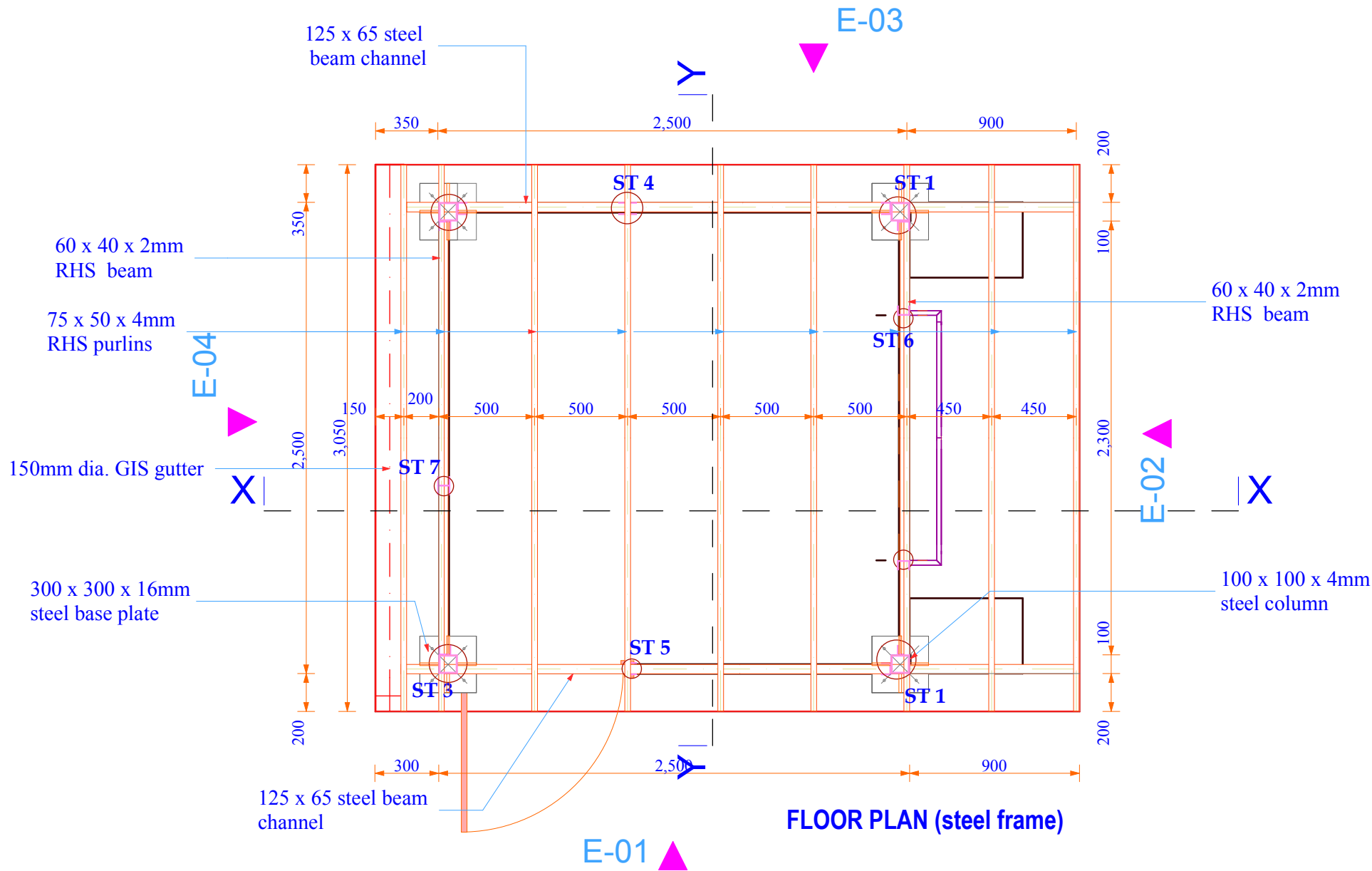
DOOR DETAIL Z (pg 06)

Project Title: WATER KIOSK (Type Closed) PREFABRICATED	Client: WATER SERVICES TRUST FUND (WSTF)	drq title: SHUTTER & DOOR HINGES DETAIL	drq no.: ARC 08	Consultant: Edward Kung'u	Designed By Faith Mwangi Eden Mati	Checked By John Orwa	Approved by CEO - Water Services Trust Fund Signature.....	Scale 1 : 2.5 Date: November 2008 page 08
--	---	--	---------------------------	-------------------------------------	---	--------------------------------	---	--

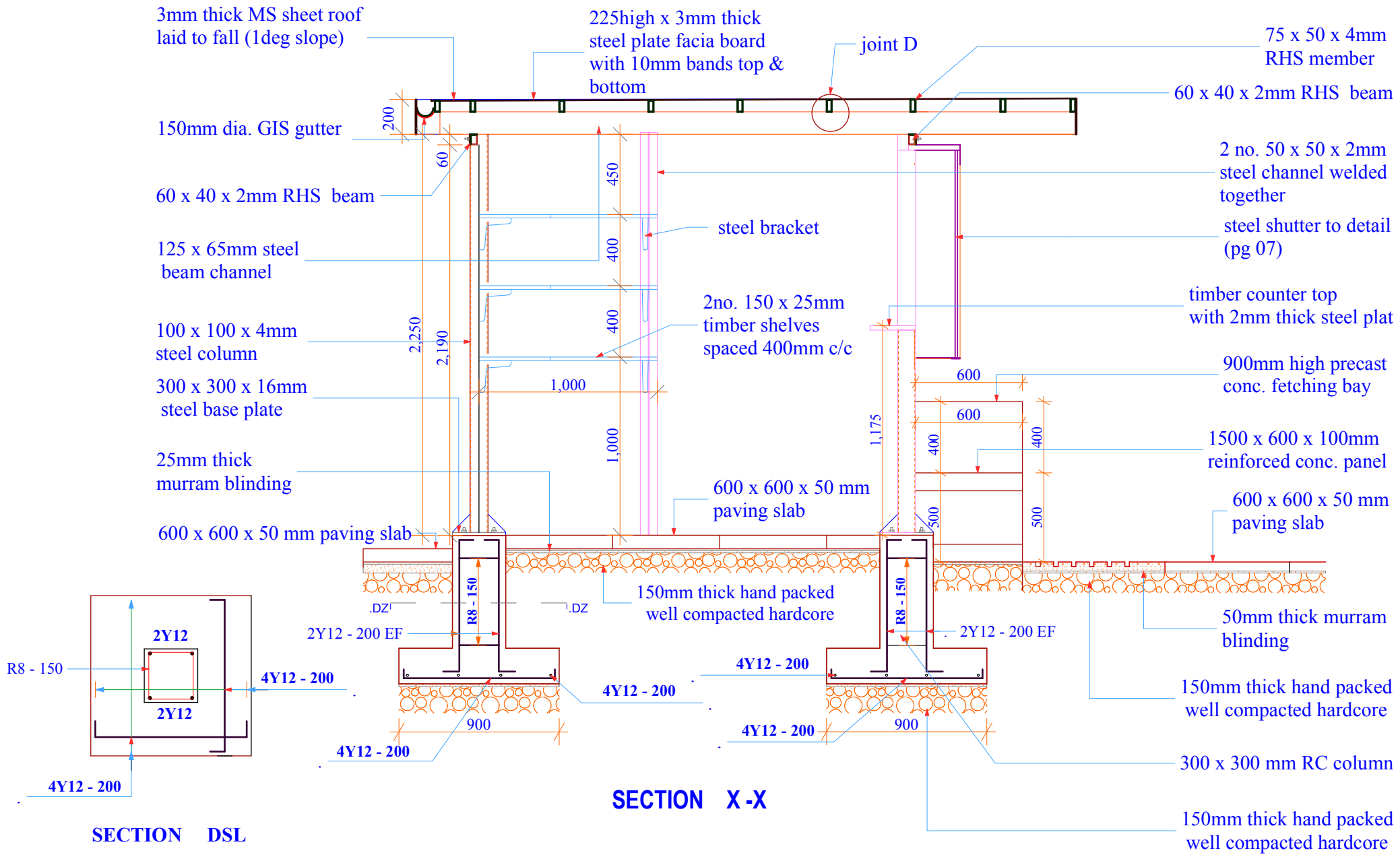
STRUCTURAL DRAWINGS

TABLE OF CONTENTS

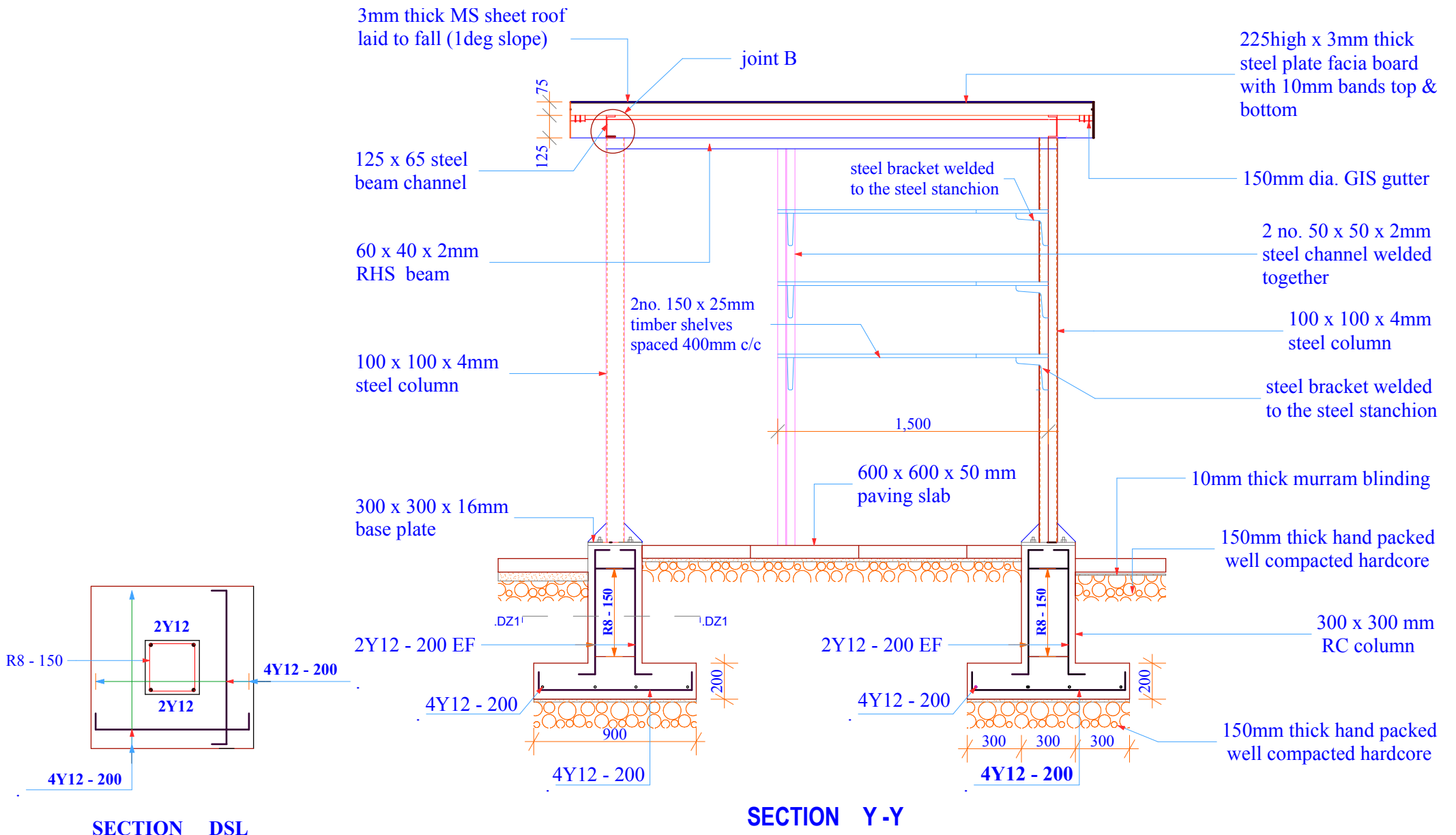
No.	Dwg. Title	Dwg. No.	Page
1	Plan	STR - 01	01
2	Section X-X	STR - 02	02
3	Section Y-Y	STR - 03	03
4	Bar Bending Schedule	STR - 04	04
5	Column Connection Details	STR - 05	05
6	Column Base Connection Details	STR - 06	06
7	Channel Detail (panel support)	STR - 07	07
8	Channel Base Detail (window support)	STR - 08	08
9	Channel & Stanchion Connection	STR - 09	9
10	Steel Gage Details	STR - 10	10
11	Fetching Bay Details	STR - 11	11



<p>Project Title: WATER KIOSK (Type Closed) PREFABRICATED</p>	<p>Client: WATER SERVICES TRUST FUND (WSTF)</p>	<p>drq title: PLAN</p>	<p>drq no.: STR 01</p>	<p>Consultant: Edward Kung'u</p>	<p>Designed By Faith Mwangi Eden Mati</p>	<p>Checked By John Orwa</p>	<p>Approved by CEO - Water Services Trust Fund Signature.....</p>	<p>Scale 1 : 20 Date: November 2008 page 01</p>
--	--	-----------------------------------	-----------------------------------	---	--	--	--	---



Project Title: WATER KIOSK (Type Closed) PREFABRICATED	Client: WATER SERVICES TRUST FUND (WSTF)	drq title: SECTION	drq no.: STR 02	Consultant: Edward Kung'u	Designed By Faith Mwangi Eden Mati	Checked By John Orwa	Approved by CEO - Water Services Trust Fund Signature.....	Scale 1 : 20 Date: November 2008 page 02
--	---	------------------------------	---------------------------	-------------------------------------	---	--------------------------------	---	---



Project Title:
WATER KIOSK
 (Type Closed)
 PREFABRICATED

Client:
WATER SERVICES
TRUST FUND (WSTF)

drq title:
SECTION

drq no:
STR 03

Consultant:
Edward Kung'u

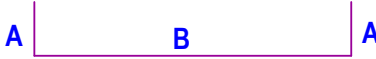
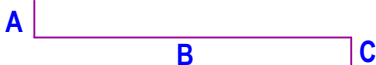
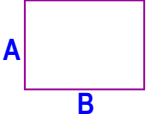
Designed By
Faith Mwangi
Eden Mati

Checked By
John Orwa

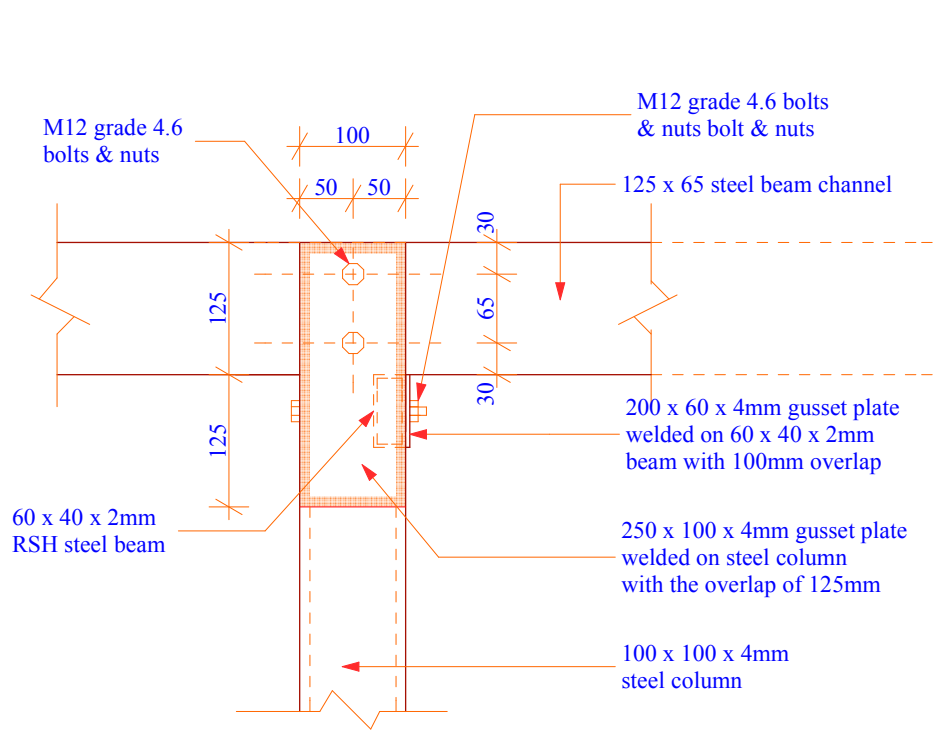
Approved by
CEO - Water Services Trust Fund
 Signature.....

Scale 1 : 20
Date: November 2008
page 03

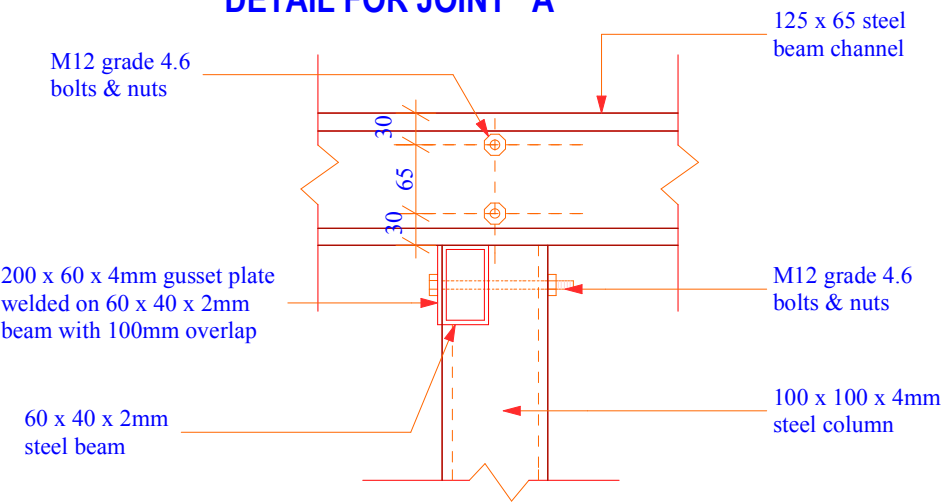
Bar Bending Schedule (Foundation Concrete)

Bar type	Bar Mark	Bar shape	Dimensions				No.	Length mm	Total Length mm
			A	B	C	D			
Y12			100	800			32	1,000	32,000
Y12			300	800	100		16	1,200	19,200
Y8			200	200			20	900	18,000

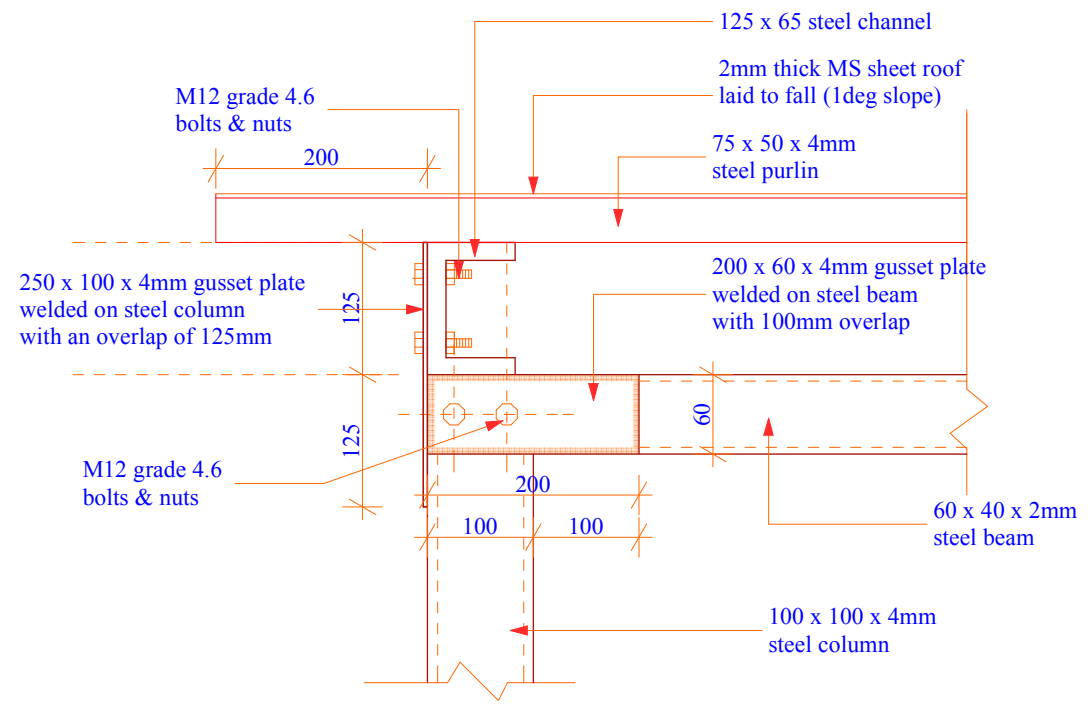
<u>Project Title:</u> WATER KIOSK (Type Closed) PREFABRICATED	<u>Client:</u> WATER SERVICES TRUST FUND (WSTF)	<u>drq title:</u> BAR BENDING SCHEDULE	<u>drq no.:</u> STR 04	<u>Consultant:</u> Edward Kung'u	<u>Designed By</u> Faith Mwangi Eden Mati	<u>Checked By</u> John Orwa	<u>Approved by</u> CEO - Water Services Trust Fund Signature.....	Scale Date: November 2008 page 04
--	---	--	---------------------------	-------------------------------------	---	--------------------------------	---	---



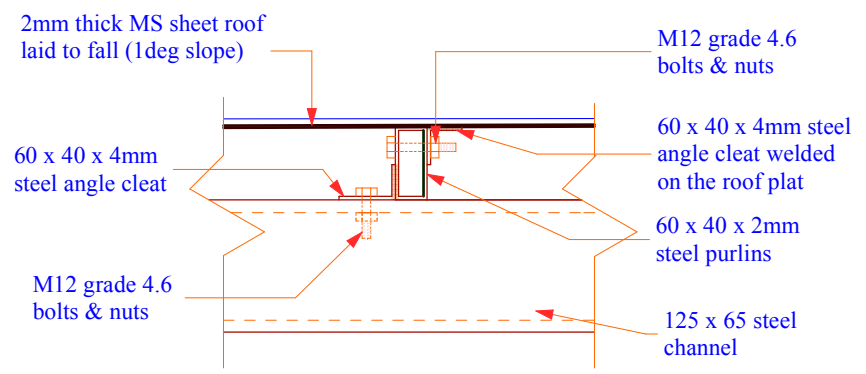
DETAIL FOR JOINT A



DETAIL FOR JOINT C

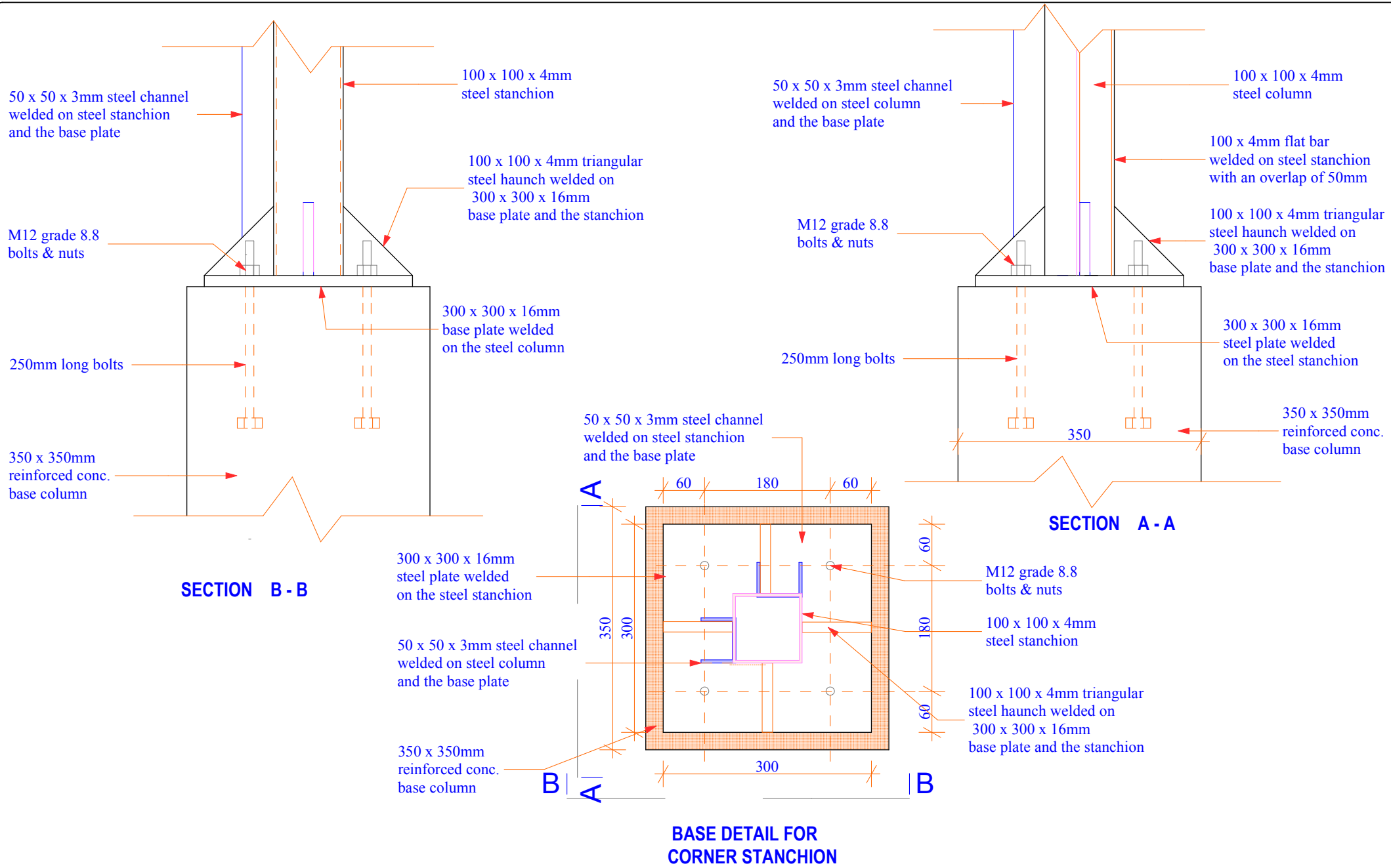


DETAIL FOR JOINT B



DETAIL FOR JOINT D

<p><u>Project Title:</u> WATER KIOSK (Type Closed) PREFABRICATED</p>	<p><u>Client:</u> WATER SERVICES TRUST FUND (WSTF)</p>	<p><u>drq title:</u> CONNECTION DETAIL</p>	<p><u>drq no:</u> STR 05</p>	<p><u>Consultant:</u> Edward Kung'u</p>	<p><u>Designed By</u> Faith Mwangi Eden Mati</p>	<p><u>Checked By</u> John Orwa</p>	<p><u>Approved by</u> CEO - Water Services Trust Fund Signature.....</p>	<p>Scale 1 : 5 Date: November 2008 page 05</p>
---	---	---	---	--	---	---	--	---



Project Title:
**WATER KIOSK
 (Type Closed)
 PREFABRICATED**

Client:
**WATER SERVICES
 TRUST FUND (WSTF)**

drq title:
**COLUMN BASE
 DETAIL**

drq no:
STR 06

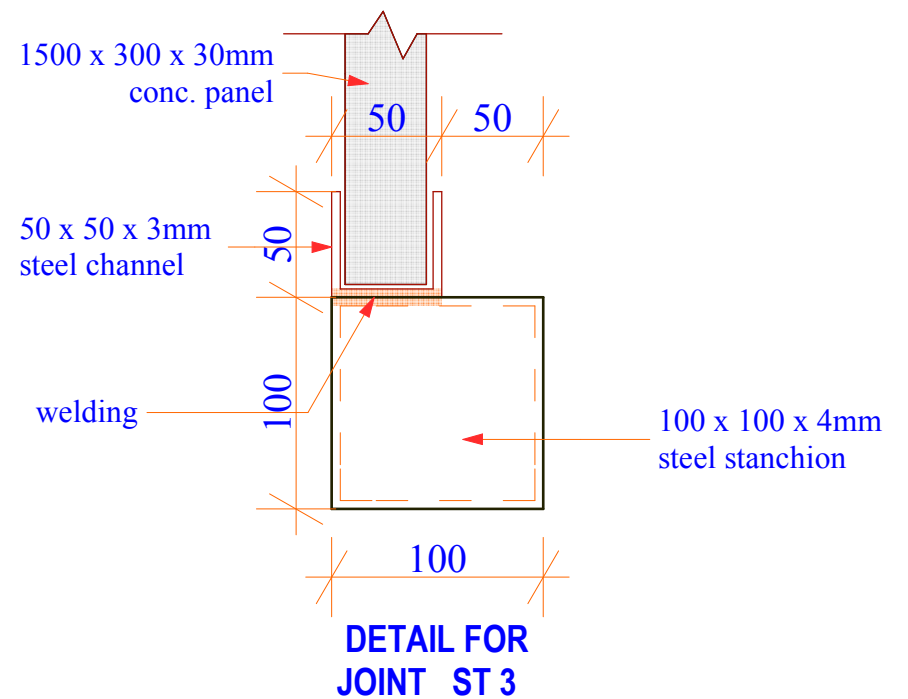
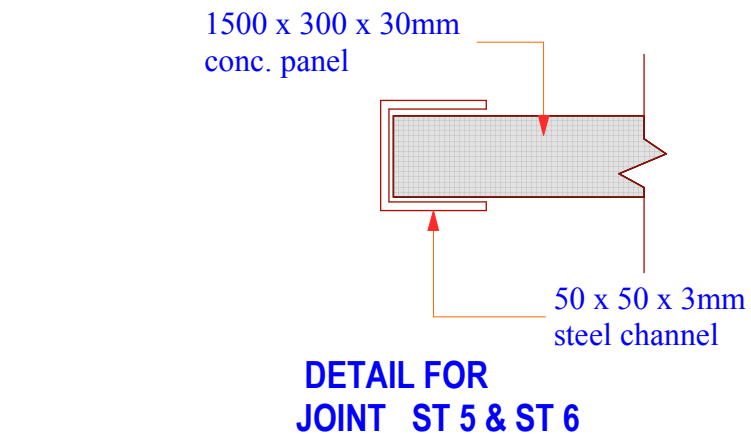
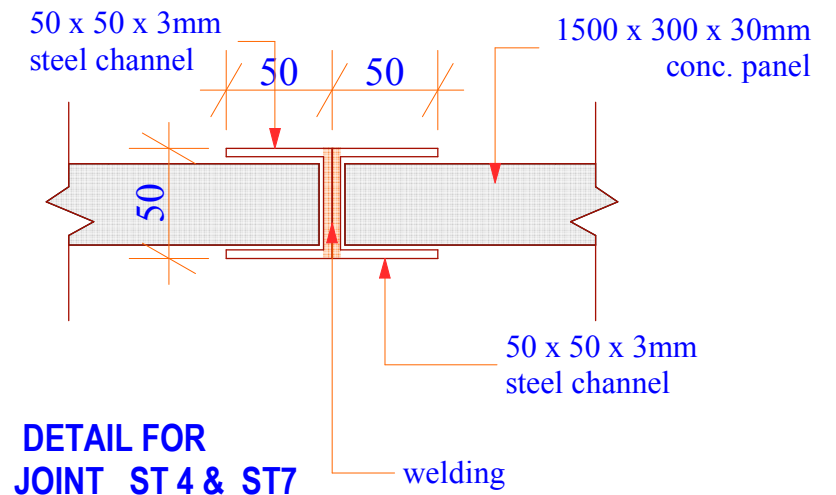
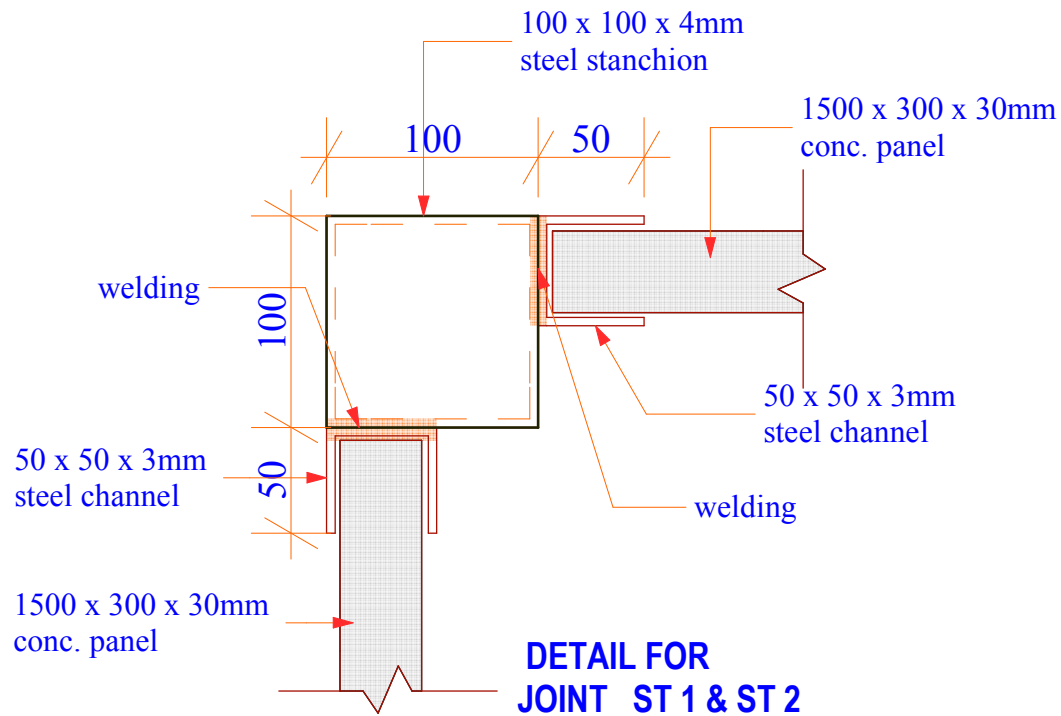
Consultant:
Edward Kung'u

Designed By
**Faith Mwangi
 Eden Mati**

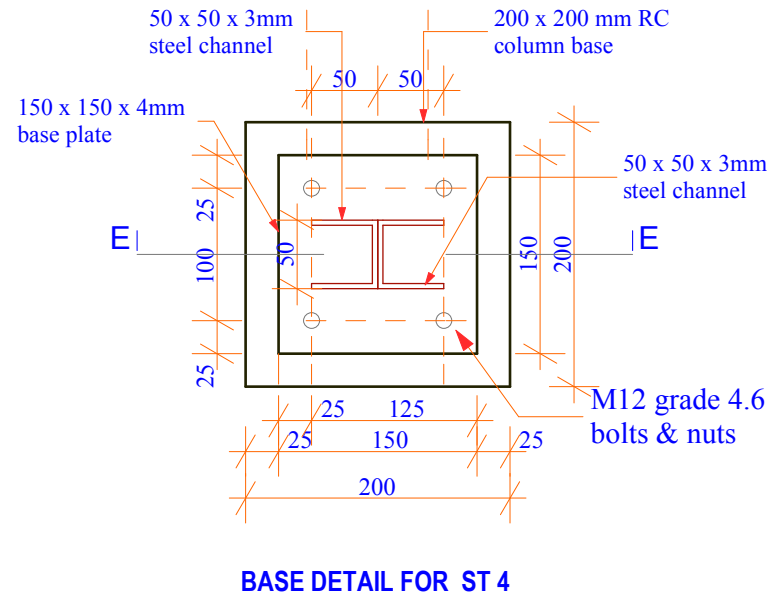
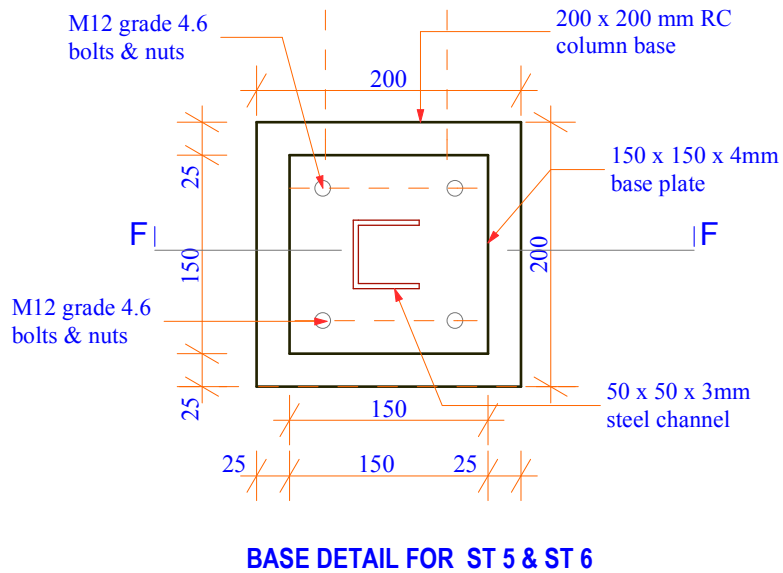
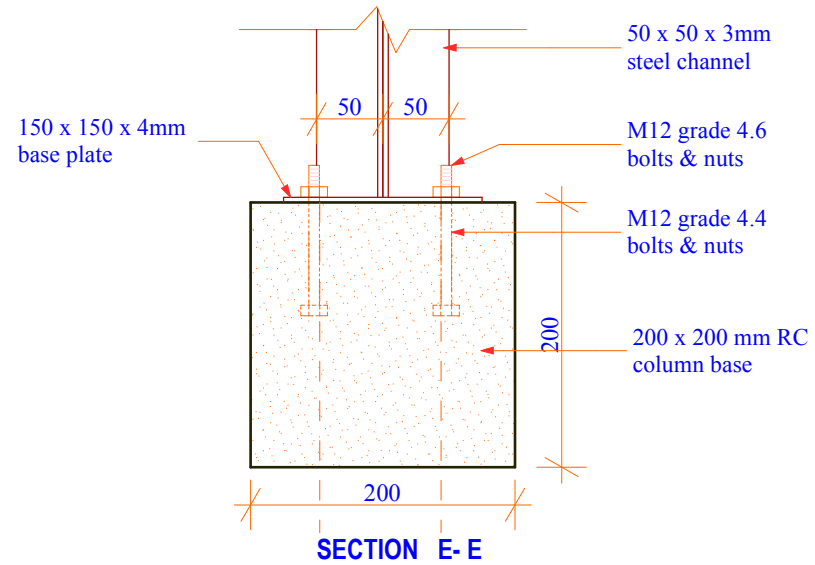
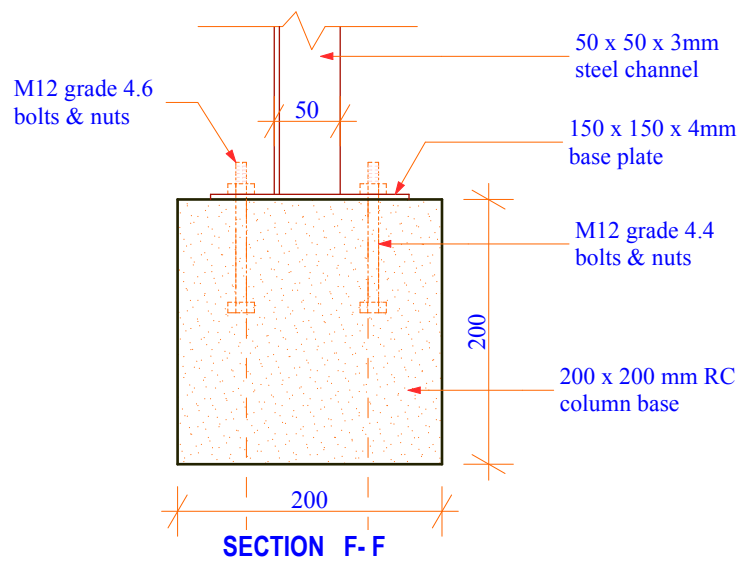
Checked By
John Orwa

Approved by
CEO - Water Services Trust Fund
 Signature.....

Scale 1 : 5
Date: November 2008
page 06



Project Title: WATER KIOSK (Type Closed) PREFABRICATED	Client: WATER SERVICES TRUST FUND (WSTF)	drq title: STANCHIONS DETAIL	drq no: STR 07	Consultant: Edward Kung'u	Designed By Faith Mwangi Eden Mati	Checked By John Orwa	Approved by CEO - Water Services Trust Fund Signature.....	Scale 1 : 5 Date: November 2008 page 07
--	---	---	--------------------------	-------------------------------------	---	--------------------------------	---	---



Project Title:

WATER KIOSK
(Type Closed)
PREFABRICATED

Client:

WATER SERVICES
TRUST FUND (WSTF)

drq title:

CHANNEL
BASE DETAIL

drq no:

STR 08

Consultant:

Edward Kung'u

Designed By

Faith Mwangi
Eden Mati

Checked By

John Orwa

Approved by

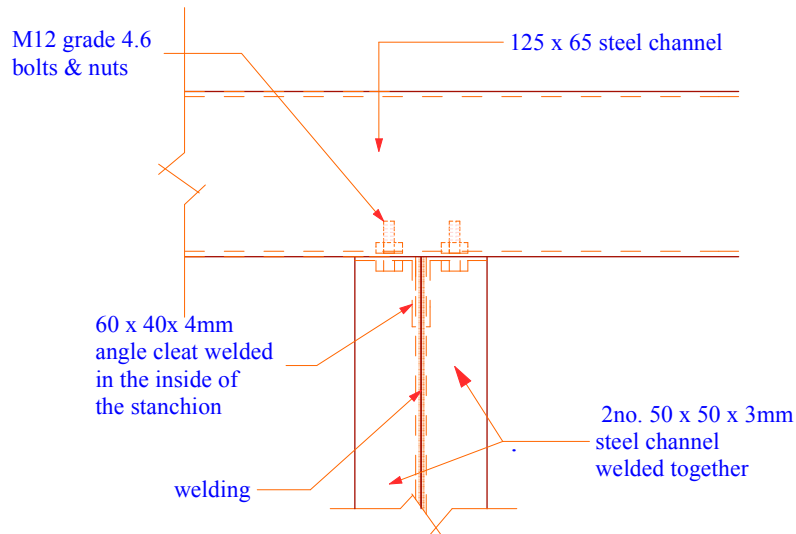
CEO - Water Services Trust Fund

Signature.....

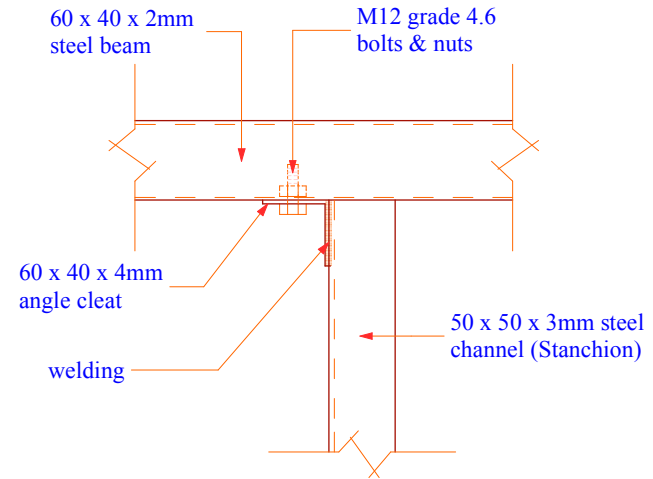
Scale 1 : 5

Date: November 2008

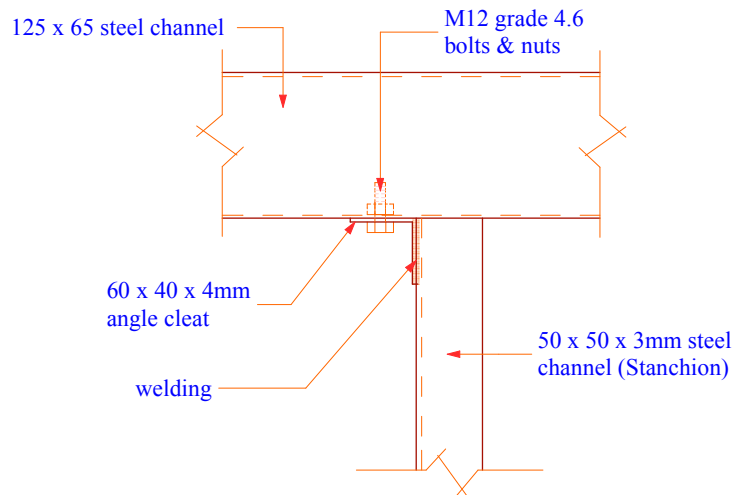
page 08



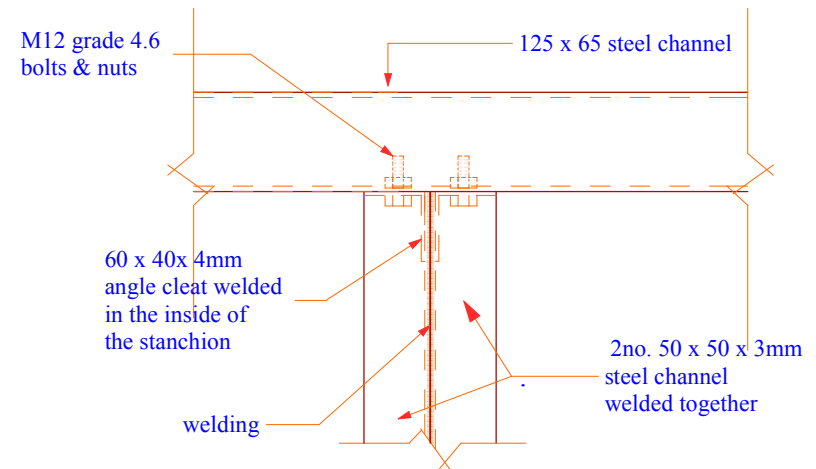
BASE DETAIL FOR ST 4



**BEAM CONNECTION
DETAIL FOR ST 6**

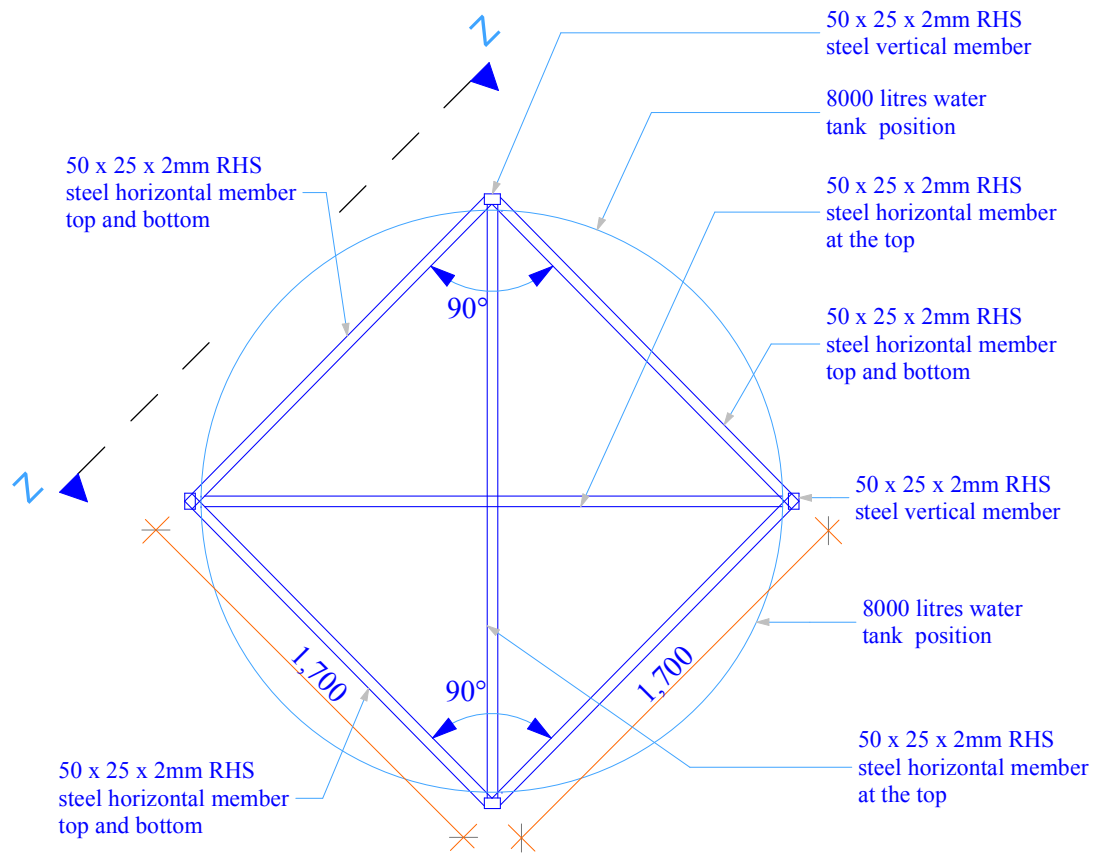


**BEAM CONNECTION
DETAIL FOR ST 5**

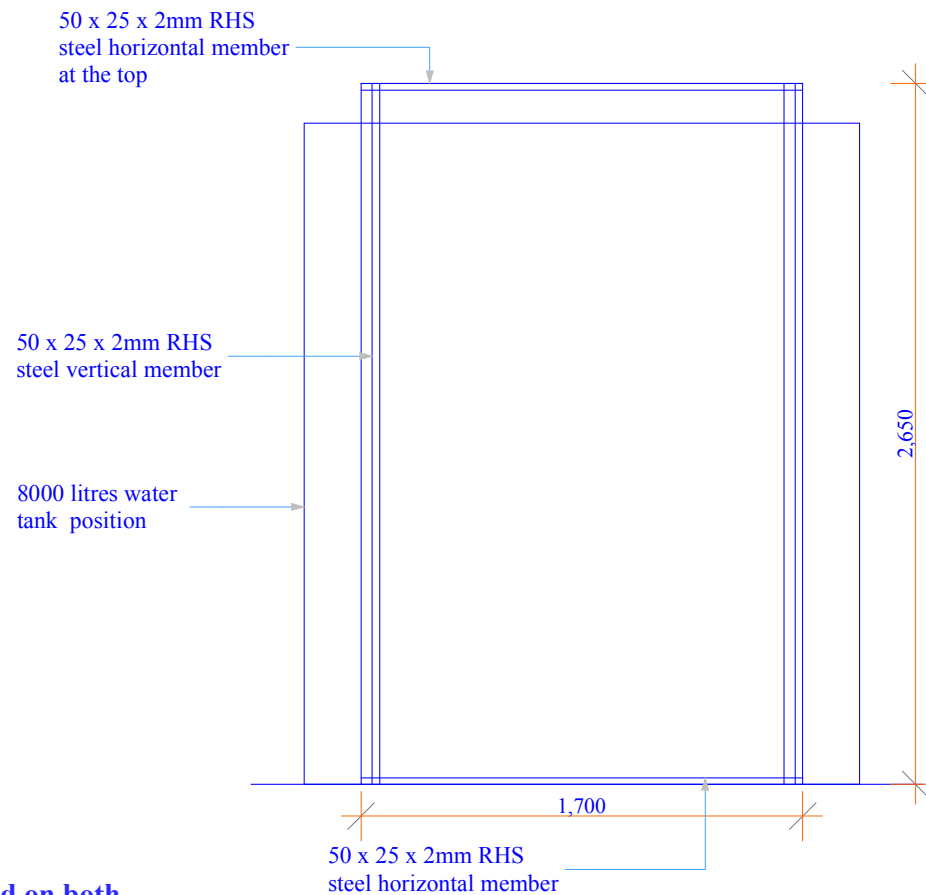


BASE DETAIL FOR ST 7

<p><u>Project Title:</u> WATER KIOSK (Type Closed) PREFABRICATED</p>	<p><u>Client:</u> WATER SERVICES TRUST FUND (WSTF)</p>	<p><u>drq title:</u> CHANNEL, BEAM CONNECTION DETAILS</p>	<p><u>drq no.:</u> STR 09</p>	<p><u>Consultant:</u> Edward Kung'u</p>	<p><u>Designed By</u> Faith Mwangi Eden Mati</p>	<p><u>Checked By</u> John Orwa</p>	<p><u>Approved by</u> CEO - Water Services Trust Fund Signature.....</p>	<p>Scale Date: November 2008 page 09</p>
--	--	---	-----------------------------------	---	--	--	--	--



TOP VIEW

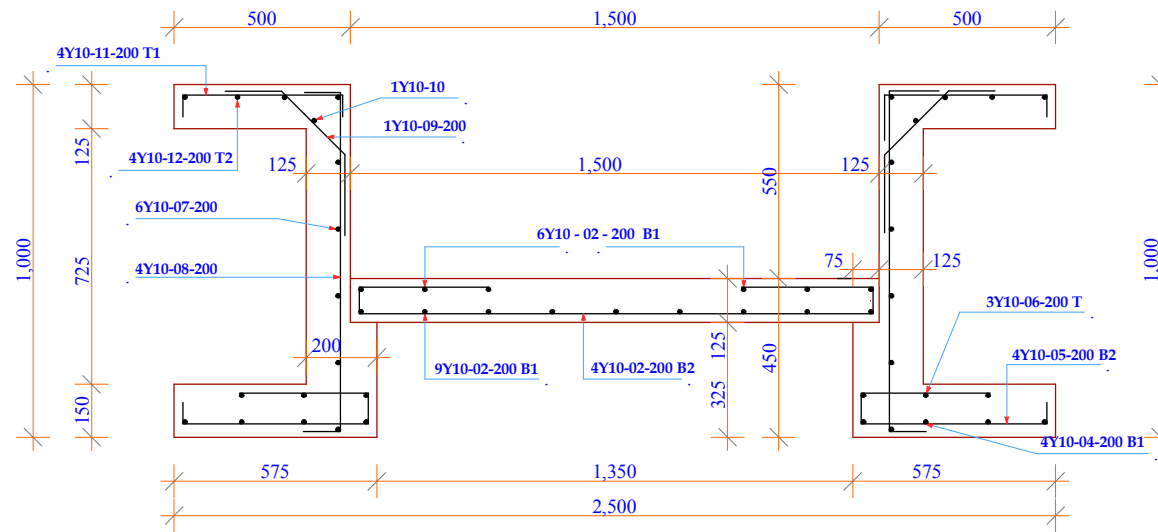


SIDE VIEW X-X

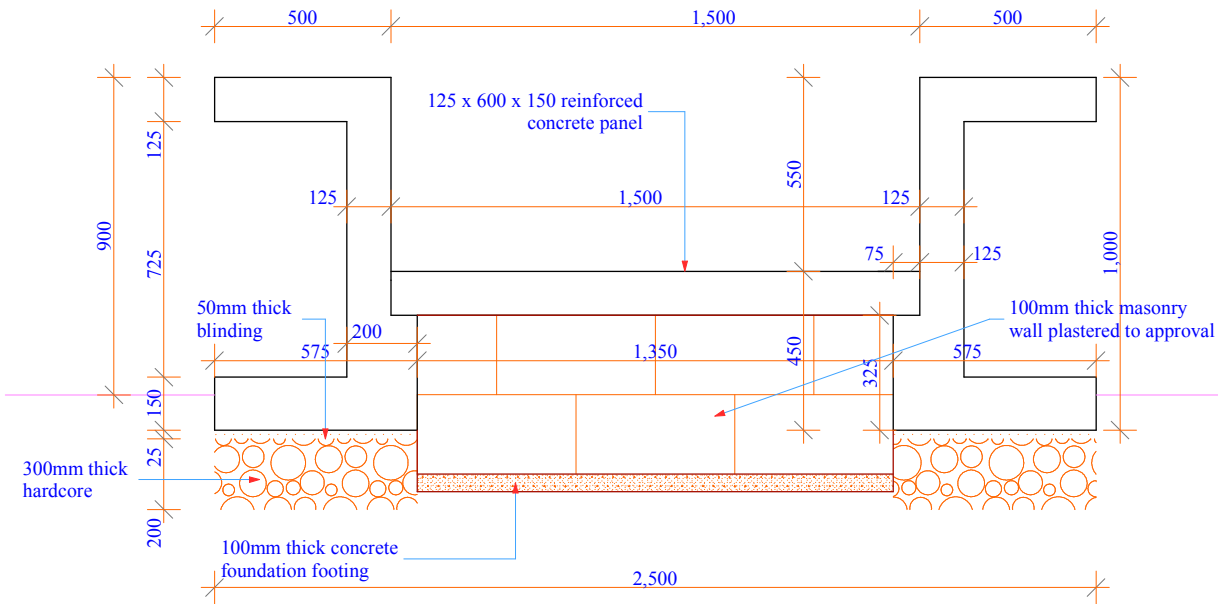
NB the cage to be used on both 8000ltrs and 5000ltrs tanks

STEEL CAGE DETAIL

<p>Project Title: WATER KIOSK (Type Closed) PREFABRICATED</p>	<p>Client: WATER SERVICES TRUST FUND (WSTF)</p>	<p>drq title: STEEL CAGE DETAIL</p>	<p>drq no: STR 10</p>	<p>Consultant: Edward Kung'u</p>	<p>Designed By Faith Mwangi Eden Mati</p>	<p>Checked By John Orwa</p>	<p>Approved by CEO - Water Services Trust Fund Signature.....</p>	<p>Scale Date: November 2008 page 10</p>
--	--	--	----------------------------------	---	--	--	--	--



FETCHING BAY REINFORCEMENT DETAILS



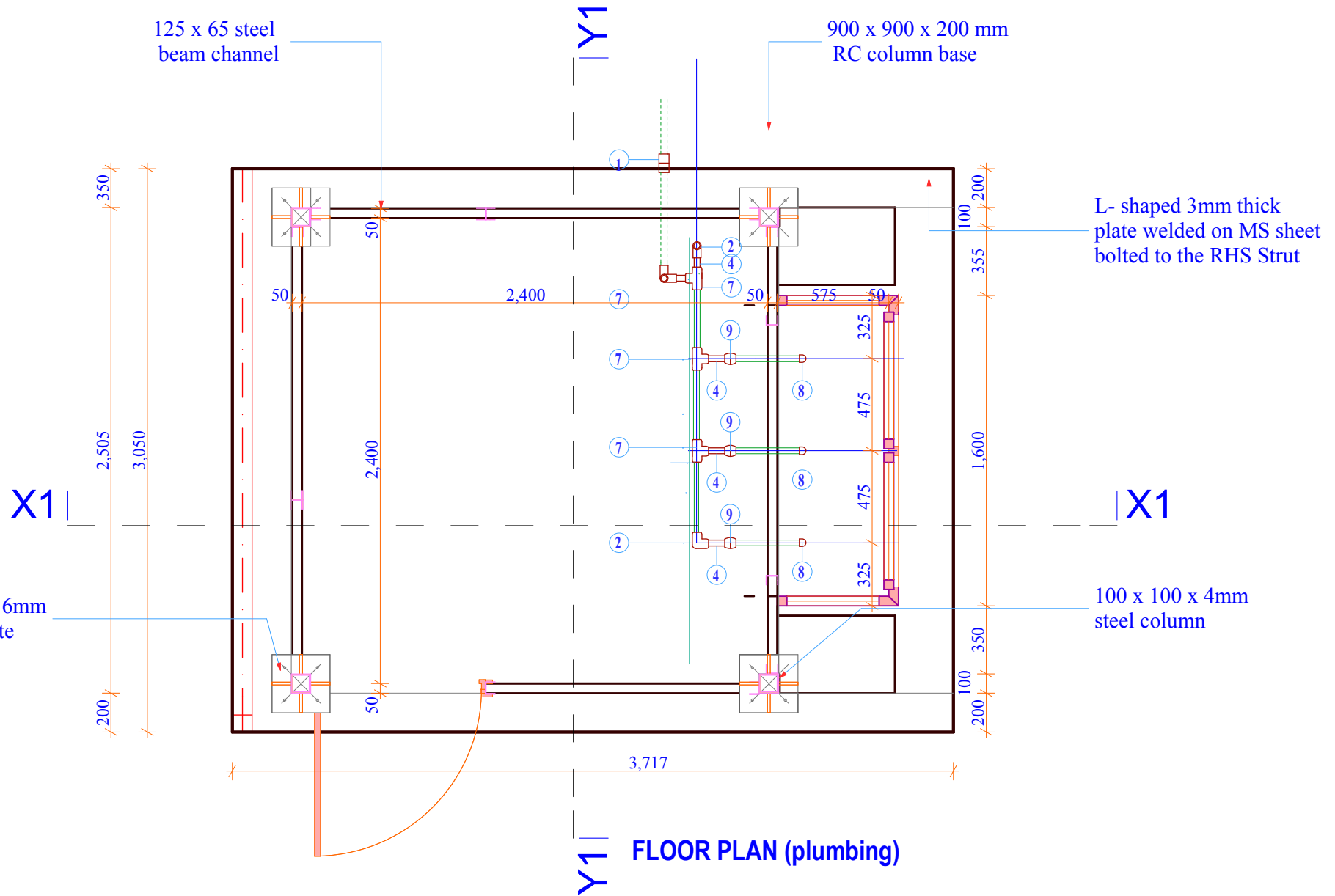
FETCHING BAY SECTION

<p>Project Title: WATER KIOSK (Type Closed) PREFABRICATED</p>	<p>Client: WATER SERVICES TRUST FUND (WSTF)</p>	<p>drq title: FETCHING BAY DETAIL</p>	<p>drq no: STR 11</p>	<p>Consultant: Edward Kung'u</p>	<p>Designed By Faith Mwangi Eden Mati</p>	<p>Checked By John Orwa</p>	<p>Approved by CEO - Water Services Trust Fund Signature.....</p>	<p>Scale Date: November 2008 page 11</p>
--	--	--	----------------------------------	---	--	--	--	--

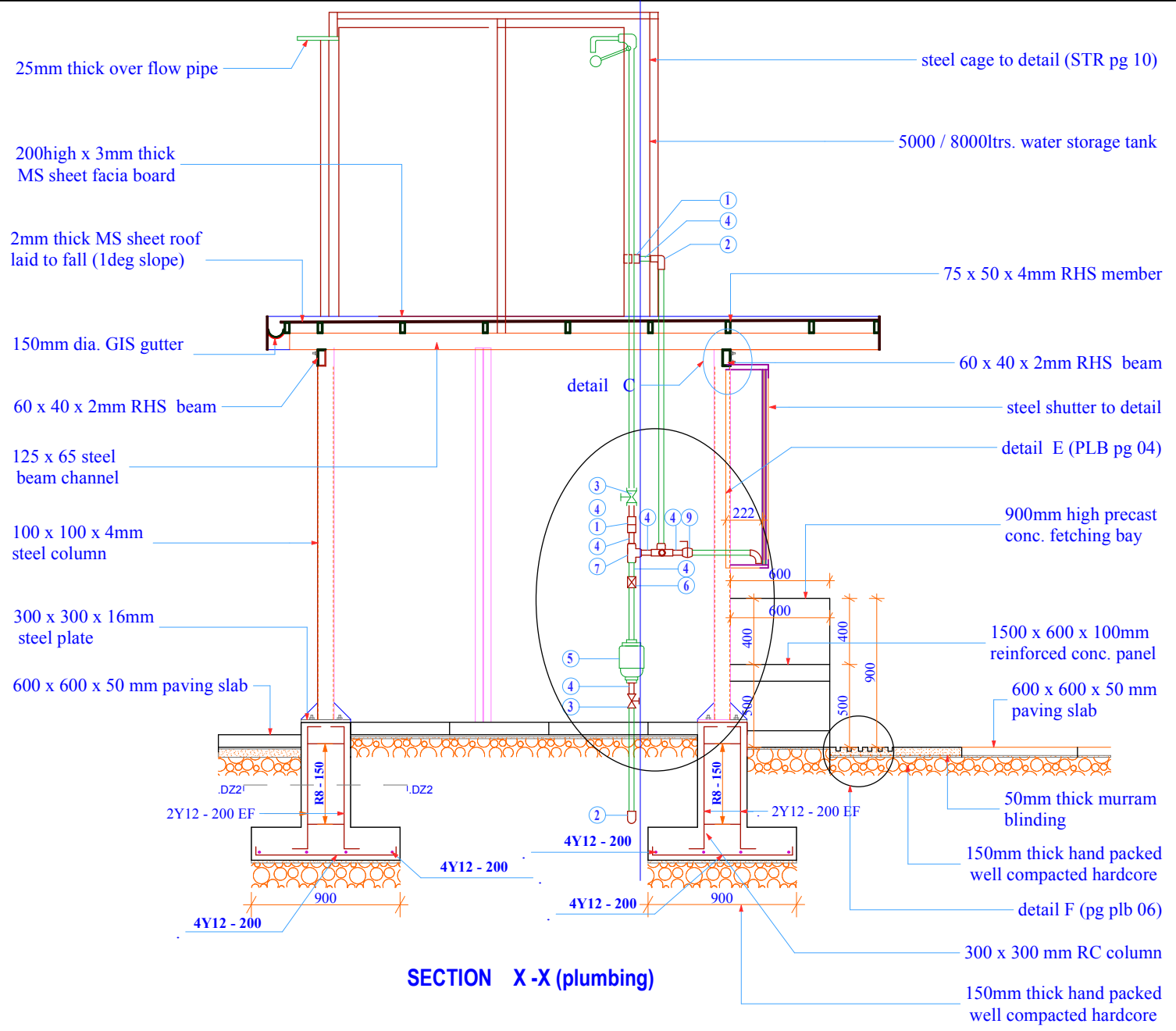
PLUMBING &
DRAINAGE
DRAWING

TABLE OF CONTENTS

No.	Dwg. Title	Dwg. No.	Page
1	Plan	PLB - 01	01
2	Section X-X	PLB - 02	02
3	Section Z-Z	PLB - 03	03
4	Section Detail	PLB - 04	04
5	Schedule of Materials	PLB - 05	05
6	Drainage Details	PLB - 06	06
7	Timber Platform Dtls	PLB - 07	07

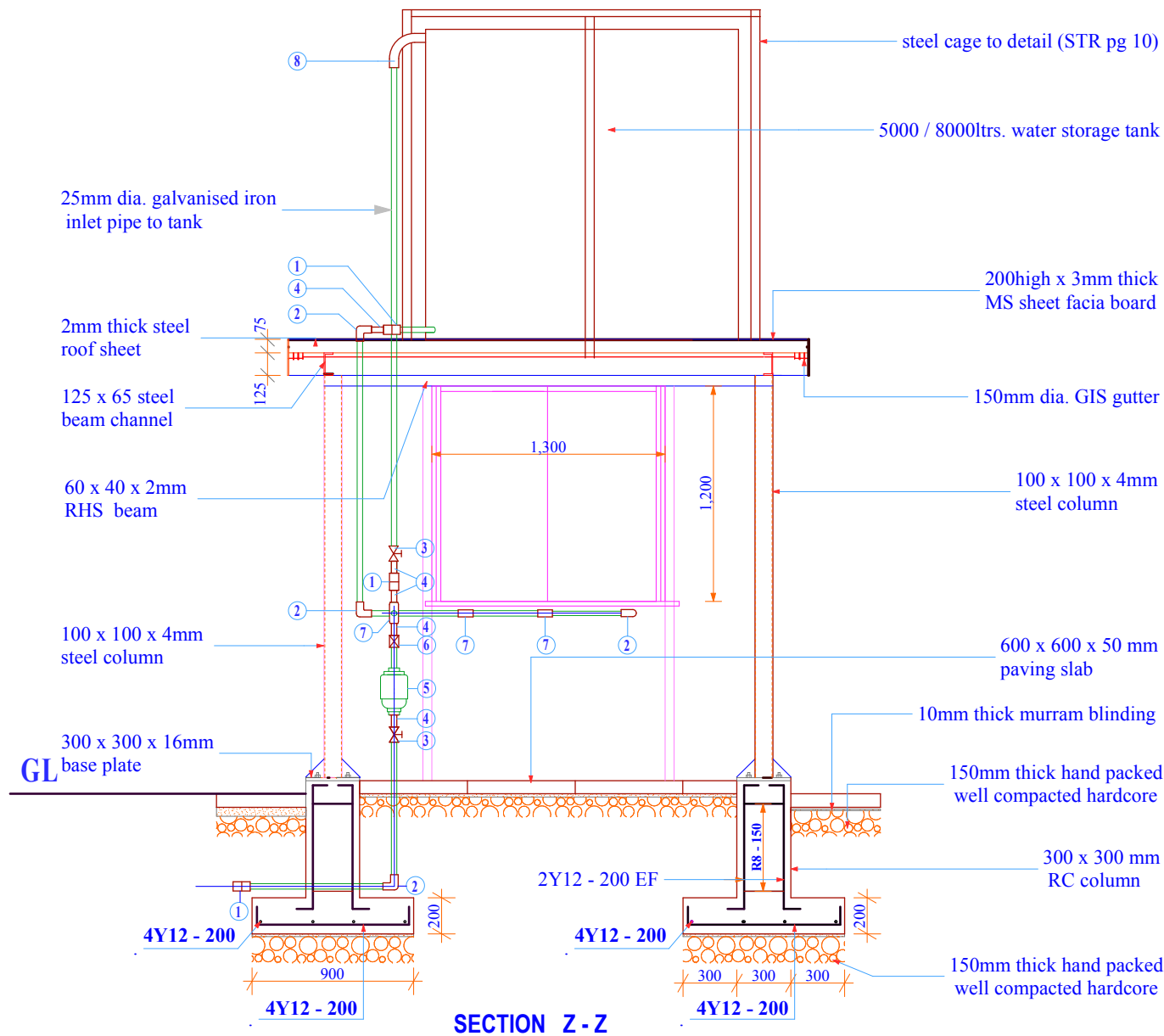


<p>Project Title: WATER KIOSK (Type Closed) PREFABRICATED</p>	<p>Client: WATER SERVICES TRUST FUND (WSTF)</p>	<p>drq title: PLAN</p>	<p>drq no.: PLB 01</p>	<p>Consultant: Edward Kung'u</p>	<p>Designed By Faith Mwangi Eden Mati</p>	<p>Checked By John Orwa</p>	<p>Approved by CEO - Water Services Trust Fund Signature.....</p>	<p>Scale 1 : 20 Date: November 2008 page 01</p>
--	--	-----------------------------------	-----------------------------------	---	--	--	--	---

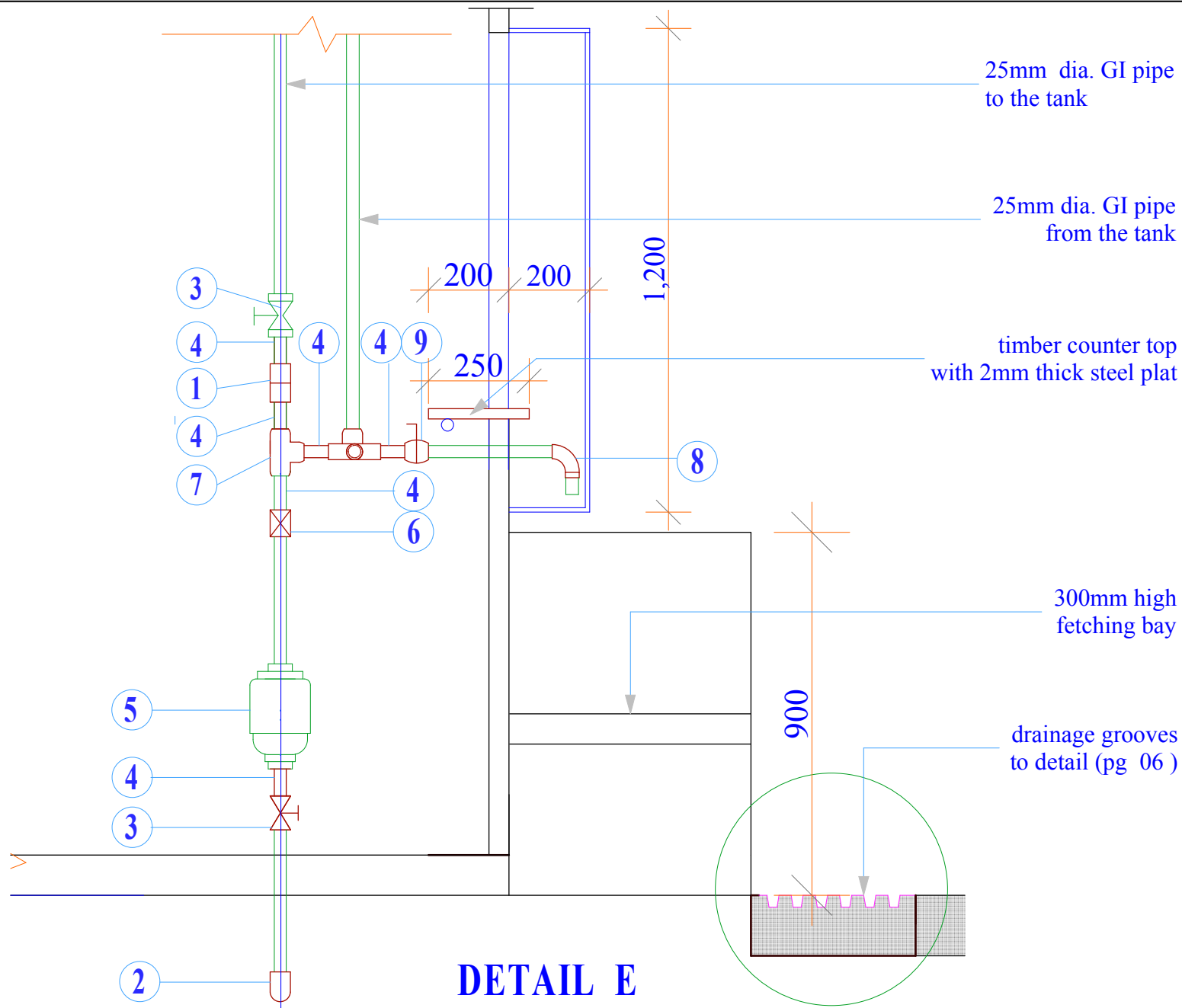


SECTION X-X (plumbing)

<p>Project Title: WATER KIOSK (Type Closed) PREFABRICATED</p>	<p>Client: WATER SERVICES TRUST FUND (WSTF)</p>	<p>drq title: SECTION (plumbing)</p>	<p>drq no: PLB 02</p>	<p>Consultant: Edward Kung'u</p>	<p>Designed By Faith Mwangi Eden Mati</p>	<p>Checked By John Orwa</p>	<p>Approved by CEO - Water Services Trust Fund Signature.....</p>	<p>Scale 1 : 25 Date: November 2008 page 02</p>
--	--	---	----------------------------------	---	--	--	--	---



<p>Project Title: WATER KIOSK (Type Closed) PREFABRICATED</p>	<p>Client: WATER SERVICES TRUST FUND (WSTF)</p>	<p>drq title: SECTION (plumbing)</p>	<p>drq no: PLB 03</p>	<p>Consultant: Edward Kung'u</p>	<p>Designed By Faith Mwangi Eden Mati</p>	<p>Checked By John Orwa</p>	<p>Approved by CEO - Water Services Trust Fund Signature.....</p>	<p>Scale 1 : 25 Date: November 2008 page 03</p>
--	--	---	----------------------------------	---	--	--	--	---



Project Title:
 WATER KIOSK
 (Type Closed)
 PREFABRICATED

Client:
 WATER SERVICES
 TRUST FUND (WSTF)

drq title:
 SECTION DETAIL

drq no:
 PLB 04

Consultant:
 Edward Kung'u

Designed By
 Faith Mwangi
 Eden Mati

Checked By
 John Orwa

Approved by
 CEO - Water Services Trust Fund
 Signature.....

Scale 1 : 15
Date: November 2008
page 04

ITEM NUMBER	DESCRIPTION (ALL 25 mm DIA.)	UNIT	QTY
1	Galvanized Iron Union	No.	3
2	Galvanized Iron Elbows	No.	3
3	Galvanized Iron Gate valve (pegler)	No.	2
4	Galvanized Iron Nipples	No.	11
5	Water meter	No.	1
6	Non return valve	No.	1
7	Galvanized Iron Equal Tee	No.	5
8	Galvanized Iron B end	No.	4
9	Ball cock water taps	No.	3
10	Galvanized Iron Long thread nipple	No.	2
11	Galvanized Iron Black nut	No.	4
12	Galvanized Iron Class B pipes (per 6 metres)	No.	4
13	Boss white (400g)	No.	3
14	Hemp thread	LM	2

Project Title:

WATER KIOSK
(Type Closed)
PREFABRICATED

Client:

WATER SERVICES
TRUST FUND (WSTF)

drq title:

PLUMBING (table)

drq no:

PLB 05

Consultant:

Edward Kung'u

Designed By

Faith Mwangi
Eden Mati

Checked By

John Orwa

Approved by

CEO - Water Services Trust Fund

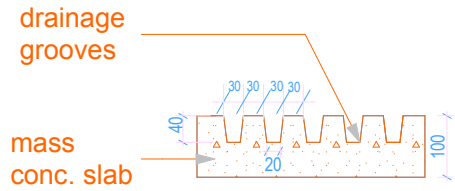
Signature.....

Scale

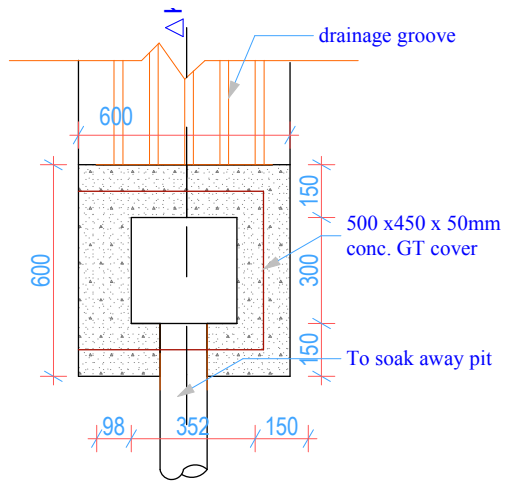
Date: November 2008

page

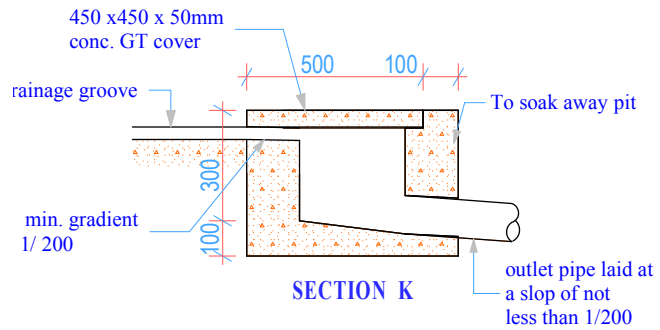
05



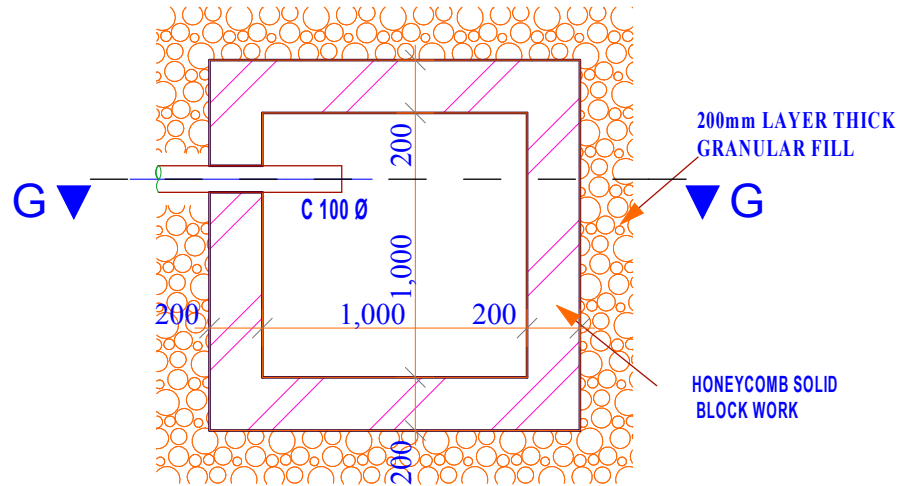
DRAINAGE GROOVES (DETAIL F)



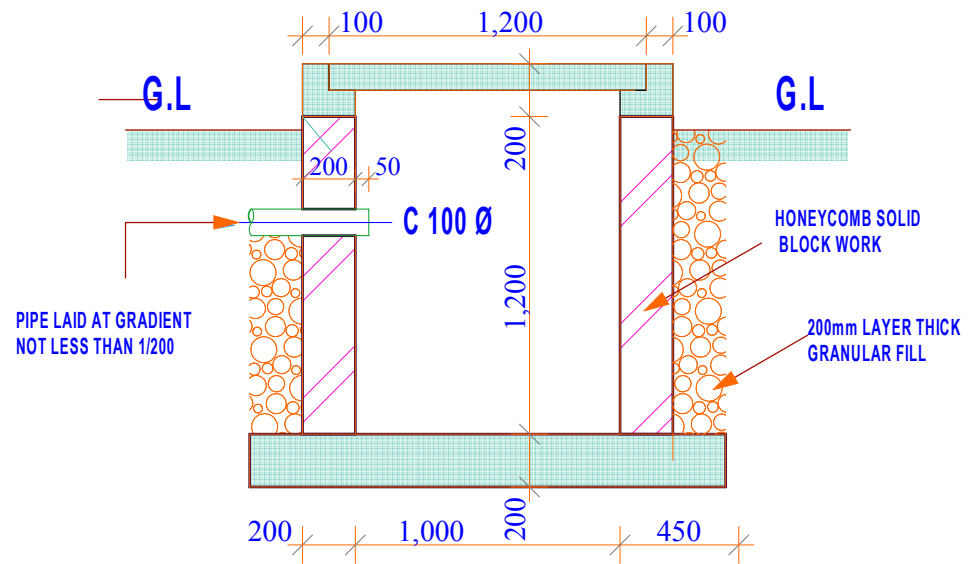
PLAN



SECTION K



SOAK PIT PLAN



LONGITUDINAL SECTION THROUGH SECTION G-G

SOAK AWAY DETAIL

Project Title:
WATER KIOSK
(Type Closed)
PREFABRICATED

Client:
WATER SERVICES
TRUST FUND (WSTF)

drq title:
DRAINAGE DETAILS

drq no.:
PLB 06

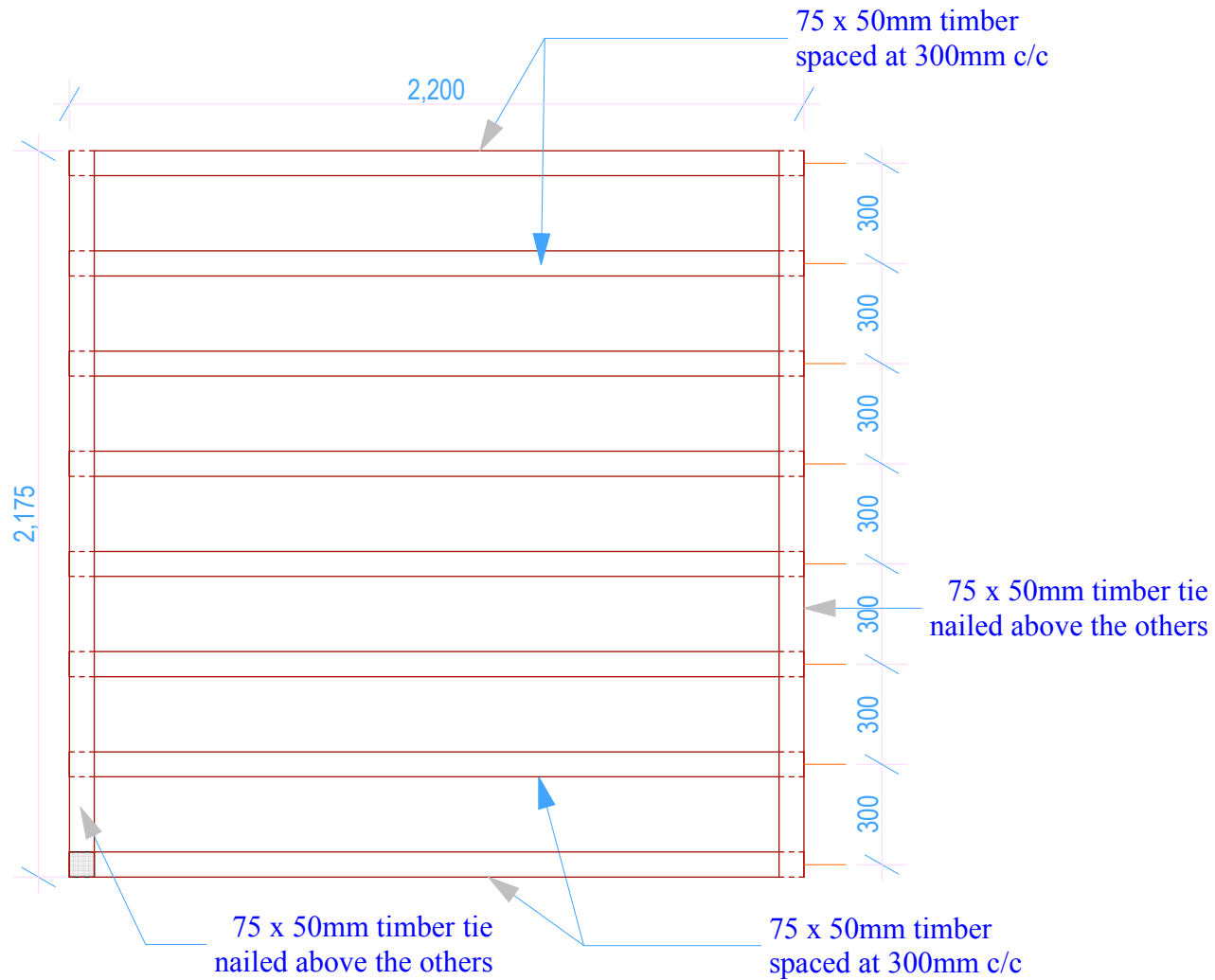
Consultant:
Edward Kung'u

Designed By
Faith Mwangi
Eden Mati

Checked By
John Orwa

Approved by
CEO - Water Services Trust Fund
Signature.....

Scale
Date: November 2008
page 06



TIMBER PLATFORM

<p><u>Project Title:</u> WATER KIOSK (Type Closed) PREFABRICATED</p>	<p><u>Client:</u> WATER SERVICES TRUST FUND (WSTF)</p>	<p><u>drq title:</u> TIMBER PLATFORM</p>	<p><u>drq no:</u> PLB 07</p>	<p><u>Consultant:</u> Edward Kung'u</p>	<p><u>Designed By</u> Faith Mwangi Eden Mati</p>	<p><u>Checked By</u> John Orwa</p>	<p><u>Approved by</u> CEO - Water Services Trust Fund Signature.....</p>	<p>Scale 1 : 15 Date: November 2008 page 07</p>
--	--	--	----------------------------------	---	--	--	--	---